



1300-0-TITUS  
info@titustekform.com.au  
stefano-orlati@titusplus.com

**Titus**

# Kosara Soft Close Bin

**SHOP NOW**



## **A max capacity undermount bin system with soft close**

For a high quality solution to integrated kitchen waste with maximum capacities, choose the Kosara undermount bin.

- Undermount soft close runner system
- Removable high impact plastic waste bins
- Modern anthracite finish
- Door mounted
- Available in multiple configurations for maximum flexibility



1300-0-TITUS  
 info@titustekform.com.au  
 stefano-orlati@titusplus.com

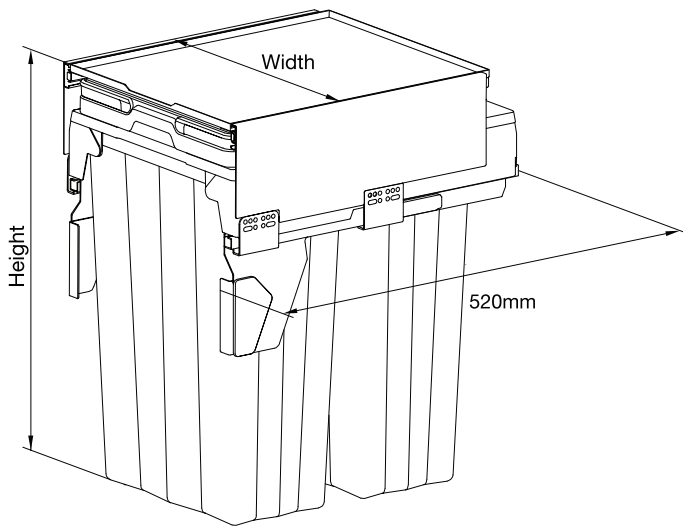
# Kosara Softclose Waste Bin

To suit 300mm, 400mm, 450mm and 600mm cabinets



White finish available in 450mm only

## DIMENSIONS & TECHNICAL DRAWINGS



## FEATURES:

- Large capacity waste bin to suit 300mm, 400mm, 450mm and 600mm cabinets
- Undermount 45kg soft close runner system
- Removable high-impact plastic bins for easy waste separation and disposal
- Door mounted installation with 6-way adjustment
- Fitted metal lid with non-slip mat doubles as storage shelf while trapping odours

## DETAILS & ORDERING INFORMATION:

Available Sizes: 32L, 62L, 66L, 74L, 94L

Available Finishes: Anthracite, White (NZ only)

Material: Metal and plastic  
 Runners: Softclose undermount

Item Number:	Suits OCW	Depth (mm)	Width (mm)	Height (mm)	Capacity	Mounting	Finish
607.8G05.332.134	300mm	520	268	620	32L (2x 16L)	Door	Anthracite
607.8G05.362.144	400mm	520	368	620	62L (2x 31L)	Door	Anthracite
607.8G05.366.174	450mm	520	418	540	66L (2x 33L)	Door	Anthracite
607.8G05.374.174	450mm	520	418	620	74L (2x 37L)	Door	Anthracite
607.8G05.374.171	450mm	520	418	620	74L (2x 37L)	Door	White
607.8G05.394.164	600mm	520	568	620	94L (2x 16L, 2x 31L)	Door	Anthracite

## CONTACT:

### Australia

Phone: 1300-0-TITUS  
 Email: info@titustekform.com.au  
 Website: www.titustekform.com.au

### New Zealand

Phone: +64 9 837 0886  
 Email: stefano-orlati@titusplus.com  
 Website: www.stefano-orlati.co.nz