

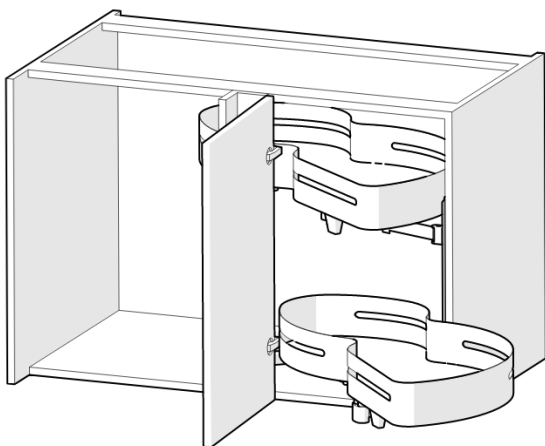


1300-0-TITUS
info@titustekform.com.au
stefano-orlati@titusplus.com

Titus

Quadra Corner Swivel Unit

SHOP NOW



A smooth, steady and stylish swivel unit

The latest addition to the Italian-made Quadra anthracite innerware range takes all the frustration out of corner storage.

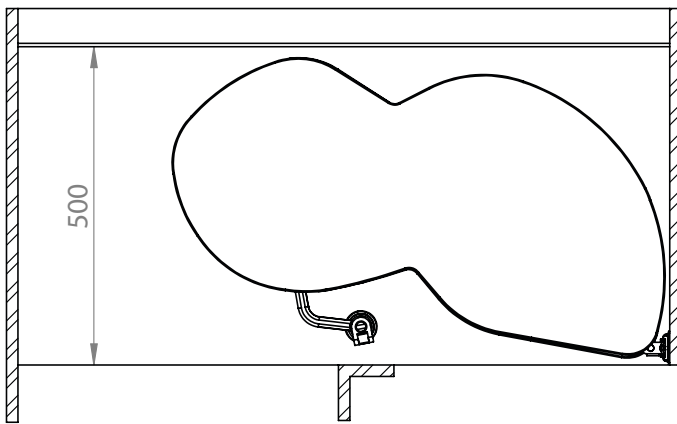
- Modern anthracite finish
- Solid base shelving with non-slip mats
- Independent swivel shelves
- European design and manufacturing
- Integrated soft close damping
- Left and right opening options



1300-0-TITUS
 info@titustekform.com.au
 stefano-orlati@titusplus.com

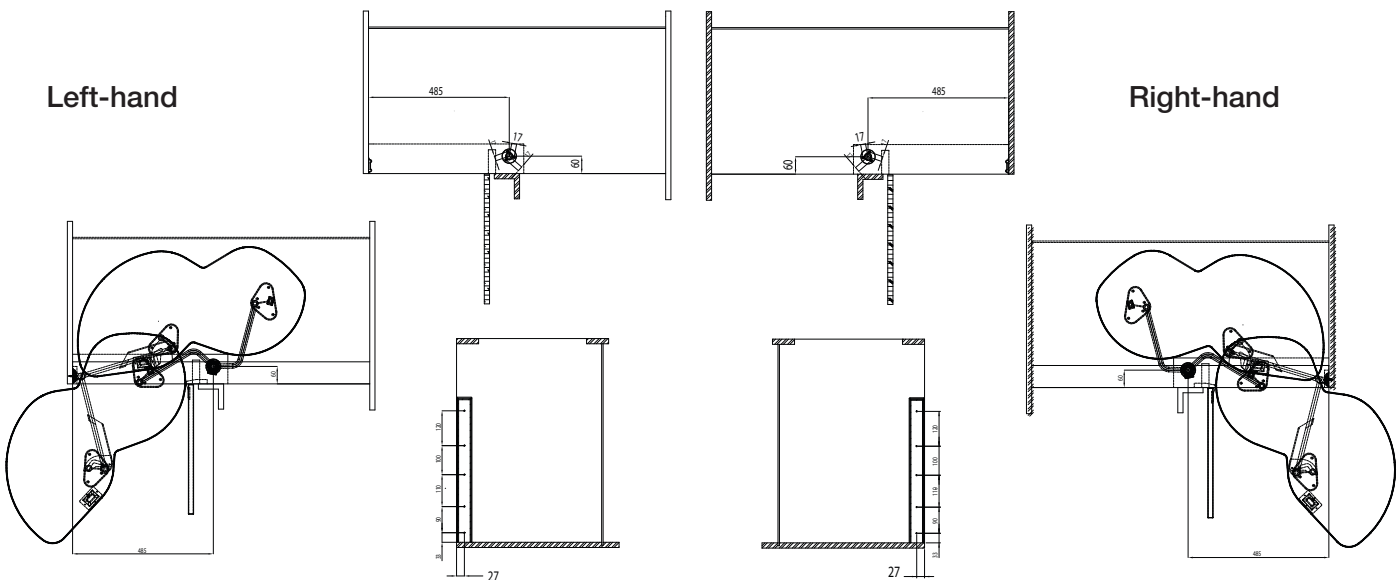
FEATURES:

- Suits 450mm door openings
- Easily access corner storage with independent pull-out swivel shelves
- 15kg weight capacity per shelf
- Non-slip mats included
- Solid base shelving for enhanced contents stability
- Smooth and silent European integrated soft close damping



Item Number:	Suits Door Width	Opening Direction	Weight Capacity	OCW Width	Cabinet Height	Depth	Finish
607.8D27.070.004	450mm	Right-hand	30kg	900mm	700-800mm	500mm	Anthracite
607.8D26.070.004	450mm	Left-hand	30kg	900mm	700-800mm	500mm	Anthracite

Technical Details



CONTACT:

Australia

Phone: 1300-0-TITUS
 Email: info@titustekform.com.au
 Website: www.titustekform.com.au

New Zealand

Phone: +64 9 837 0886
 Email: stefano-orlati@titusplus.com
 Website: www.stefano-orlati.co.nz