



Titus+
Tekform

Waste Bins & Hampers

Kitchen & Laundry Solutions

Tekform Titus+

Waste Bins & Hampers

Product guide

Kitchen Waste Bins

Kosara Undermount Softclose Bins	4
Tekno Push to Open Softclose Bins	6
Tekno Softclose Bins	8
Tidy Bins	10
Single Pull-out Bins	12
Twin Pull-out Bins	13

Laundry Hampers

Kosara Undermount Softclose Hampers	4
Tekno Laundry Hampers	6
Wire Basket Laundry Hampers	8

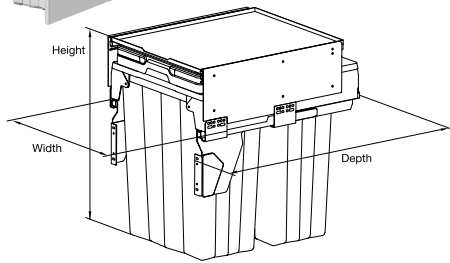
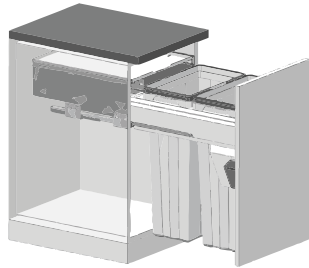
Waste Bins

Kosara Softclose Waste Bin

- Undermount soft close runner system
- 2 removable high impact plastic bins
- Door mounted
- Fitted metal lid with non-slip mat
- Modern anthracite finish

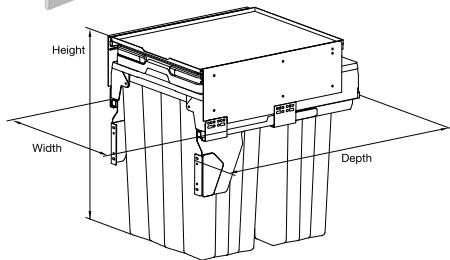
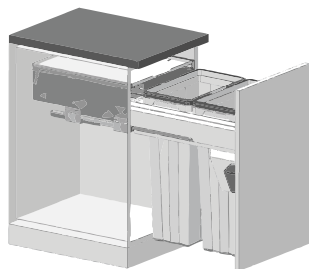


300mm Kosara Anthracite Bin with Soft Close



Made from plastic and steel

400mm Kosara Anthracite Bin with Soft Close



Made from plastic and steel

Depth (mm)	Width (mm)	Height (mm)	Capacity	Mounting	Item number
520	268	620	2x 16L	Door	607.8G05.332.134

- To suit 300mm cabinet width
- 32L total capacity

520	368	620	2x 31L	Door	607.8G05.362.144
-----	-----	-----	--------	------	------------------

- To suit 400mm cabinet width
- 62L total capacity

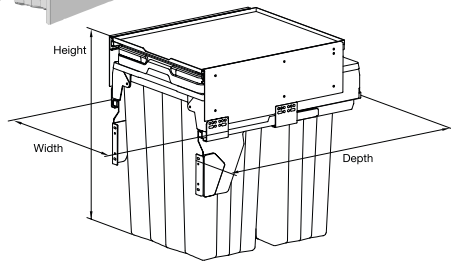
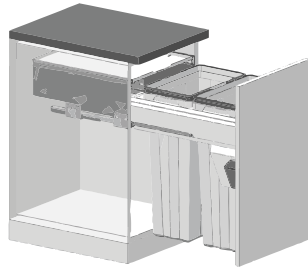
Waste Bins

Kosara Softclose Waste Bin

- Undermount soft close runner system
- 2 removable high impact plastic bins
- Door mounted
- Fitted metal lid with non-slip mat
- Modern anthracite finish

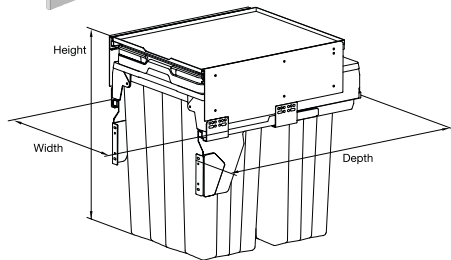
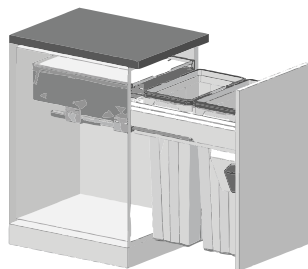


450mm Kosara Anthracite Bin with Soft Close



Made from plastic and steel

600mm Kosara Anthracite Bin with Soft Close



Made from plastic and steel

Depth (mm)	Width (mm)	Height (mm)	Capacity	Mounting	Item number
520	418	540	2x 33L	Door	607.8G05.366.174
520	418	620	2x 37L	Door	607.8G05.374.174
<ul style="list-style-type: none"> · To suit 450mm cabinet width 					
520	568	620	2x 16L 2x 31L	Door	607.8G05.394.164
<ul style="list-style-type: none"> · To suit 600mm cabinet width · 94L total capacity 					

Waste Bins

Push to Open Softclose Bins

- To suit 400mm outside cabinet width
- For use with the Slimline SDWD-T Push to Open drawer system for a push to open, softclose solution



Tekno Bin with Soft Close 26L

Depth (mm)	Width (mm)	Height (mm)	Capacity	Mounting	Closing	Item number
506	368	340	26L	Door	Soft Close	607.8G06.304.040.P20

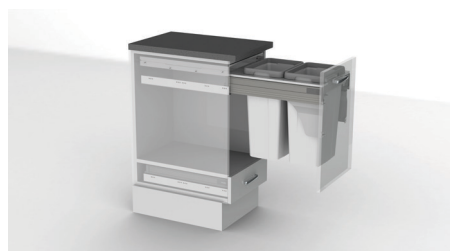
- Includes 2x 13L buckets
- Slimline SDWD-T drawer and mechanism included



Tekno Twin Bin with Soft Close 36L

506	368	470	36L	Door	Soft Close	607.8G06.302.040.P20
-----	-----	-----	-----	------	------------	----------------------

- Includes 2x 18L buckets
- Slimline SDWD-T drawer and mechanism included



Tekno Bin with Soft Close 35L

506	368	570	35L	Door	Soft Close	607.8G06.300.040.P20
-----	-----	-----	-----	------	------------	----------------------

- Includes 1x 35L bucket
- Slimline SDWD-T drawer and mechanism included



Waste Bins

Push to Open Softclose Bins

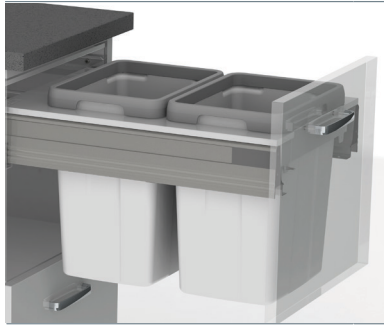
- For use with the Slimline SDWD-T Push to Open drawer system for a push to open, softclose solution

	Depth (mm)	Width (mm)	Height (mm)	Capacity	Mounting	Closing	Item number
Tekno Bin with Soft Close 450	506	418	470	2x 21L	Door	Soft Close	607.8G04.442.171.P2O
	506	418	570	2x 27L	Door	Soft Close	607.8G04.454.151.P2O
<ul style="list-style-type: none"> · To suit 450mm cabinet width · Slimline SDWD-T drawer and mechanism included 							
Tekno Twin Bin with Soft Close 70L	506	562	506	2x 35L	Door	Soft Close	607.8G06.307.040.P2O
	<ul style="list-style-type: none"> · To suit 600mm cabinet width · Slimline SDWD-T drawer and mechanism included 						

Waste Bins

Tekno Softclose Bins

- To suit 400mm outside cabinet width
- Bins suitable for use with Tekform Drawer



Tekno Bin with Soft Close 26L

Depth (mm)	Width (mm)	Height (mm)	Capacity	Mounting	Closing	Item number
------------	------------	-------------	----------	----------	---------	-------------

506	368	340	26L	Door	Soft Close	607.8G06.304.040
-----	-----	-----	-----	------	------------	------------------

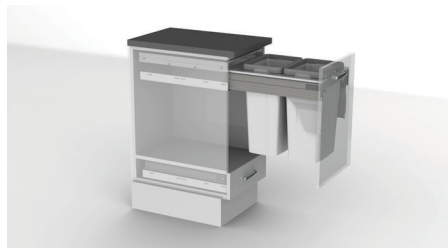
- Includes 2x 13L buckets



Tekno Twin Bin with Soft Close 36L

506	368	470	36L	Door	Soft Close	607.8G06.302.040
-----	-----	-----	-----	------	------------	------------------

- Includes 2x 18L buckets



Tekno Bin with Soft Close 35L

506	368	570	35L	Door	Soft Close	607.8G06.300.040
-----	-----	-----	-----	------	------------	------------------

- Includes 1x 35L bucket



Waste Bins

Tekno Softclose Bins

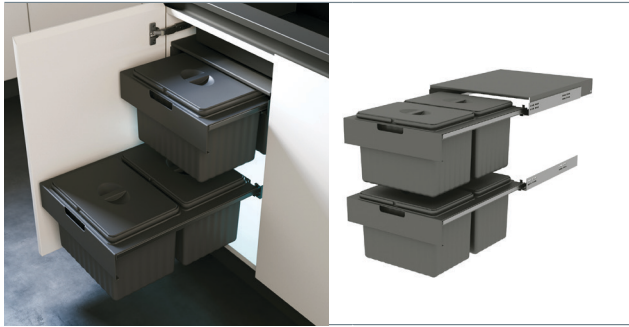
· Bins suitable for use with Tekform Drawer

	Depth (mm)	Width (mm)	Height (mm)	Capacity	Mounting	Closing	Item number
 <p>Tekno Bin with Soft Close 450</p>	506	418	470	2x 21L	Door	Soft Close	607.8G04.442.171
	506	418	570	2x 27L	Door	Soft Close	607.8G04.454.151
 <p>Tekno Twin Bin with Soft Close 70L</p>	· To suit 450mm cabinet width						
	506	562	506	2x 35L	Door	Soft Close	607.8G06.307.040
 <p>Spare Tekno Softclose 400mm Bin Frame</p>	· To suit 600mm cabinet width						
	513	368				Soft Close	607.8G06.308.040
Spare Tekno Softclose 600mm Bin Frame	513	568				Soft Close	607.8G06.309.040
Spare Tekno Bin Bucket				18L			607.8G06.310.180
Spare Tekno Bin Bucket				13L			607.8G06.309.130
Spare Tekno Bin Bucket				35L			607.8G06.309.350
· Replacement parts for Tekno Bins							

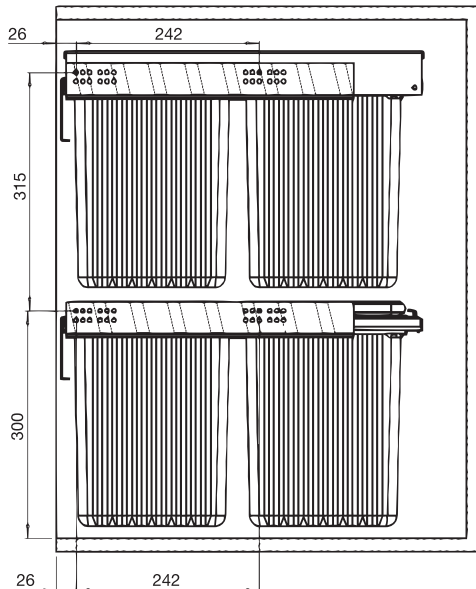
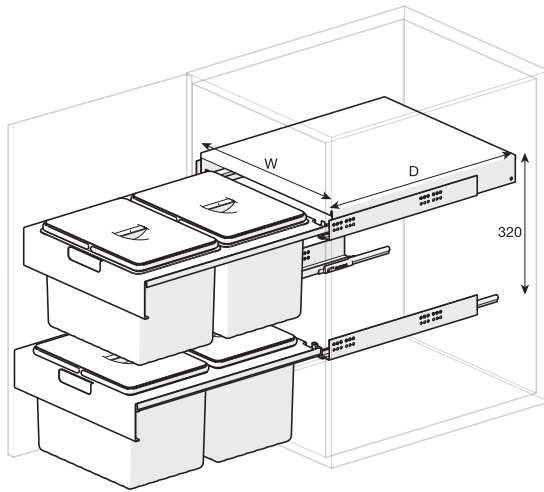
Waste Bins

Pull-out Bins

- Full extension soft close runners
- Four waste bins for easy recycling separation
- Independent pull-out shelves
- Removable bin lids



Quadra Pull-out Bin



Suits outside cabinet width (mm)	Width (mm)	Depth (mm)	Height (mm)	Capacity	Mounting	Item number
----------------------------------	------------	------------	-------------	----------	----------	-------------

450	418	487	320	4x 16L	Base	607.8G05.045.004
-----	-----	-----	-----	--------	------	------------------

600	568	487	320	4x 16L	Base	607.8G05.060.004
-----	-----	-----	-----	--------	------	------------------

Waste Bins

Single Bins

- Removable hi-impact bin for easy cleaning
- Right or left opening

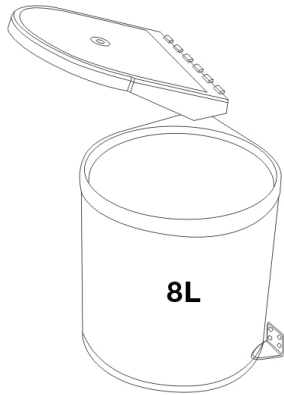


Tidy Bin 8L

Depth (mm)	Width (mm)	Height (mm)	Capacity	Mounting	Item number	White
------------	------------	-------------	----------	----------	-------------	-------

300	300	280	8L	Door	607.8G03.008 →	201
-----	-----	-----	----	------	----------------	-----

- Automatic opening lid



Bottom Mounted Tidy Bin

360	262	310	15L	Bottom	607.8G06.115 →	101
-----	-----	-----	-----	--------	----------------	-----

- Ideal for apartment/townhouse environment
- Small bin to suit vanity
- Perfect for under sink applications
- Simple DIY installation to the base of the cabinet
- Soft close ball bearing runners



Waste Bins

Pull-out Twin Bins

- Closed lid position minimises odours
- Removable hi-impact plastic bins for easy cleaning



Twin Bin Pull-out Double Bins with Metal Frame



Depth (mm)	Width (mm)	Height (mm)	Capacity	Mounting	Closing	Item number	White
510	340	320	2x 15L	Bottom	Soft Close	607.8G06.130 →	101
510	340	380	2x 18L	Bottom	Soft Close	607.8G06.136 →	001
490	340	320	2x 15L	Door		607.8G06.030 →	201
490	340	380	2x 18L	Door	Soft Close	607.8G06.136 →	201

- Ideal for low shelf applications or plumbing
- Sturdy, hi-impact frame
- To suit 400mm cabinet

A Samsung washing machine is integrated into a white cabinet. The machine's control panel is visible, featuring a digital display and various buttons. On the wooden countertop above the machine, there is a stack of folded white towels. The cabinet door is open, revealing a blue laundry hamper inside. The scene is set in a bright, modern laundry room with light-colored wood flooring.

Laundry Hampers

Laundry Innerware

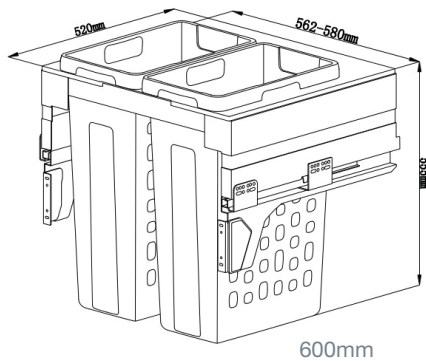
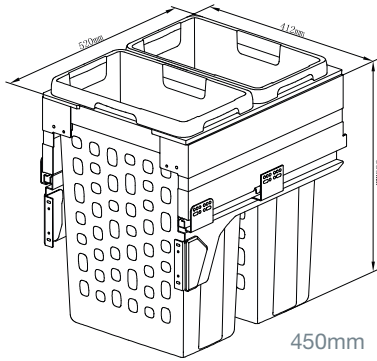
Kosara Undermount Softclose Hampers

- Undermount soft close runner system
- 2 removable high impact plastic bins
- Door mounted
- Dual baskets for easy separation
- White finish



Kosara Softclose Laundry Hamper

Depth (mm)	Width (mm)	Height (mm)	To suit cabinet width (mm)	Capacity	Mounting	Closing	Item Number
520	412	555	450	2x 35L	Door	Soft Close	607.8G07.370.177
520	562-580	555	600	2x 35L	Door	Soft Close	607.8G07.370.261



Laundry Innerware

Tekno Softclose Hampers

- Hampers suitable for use with Tekform Drawer systems for superior soft close damping



Tekno Push to Open Laundry Hamper



Tekno Laundry Hamper



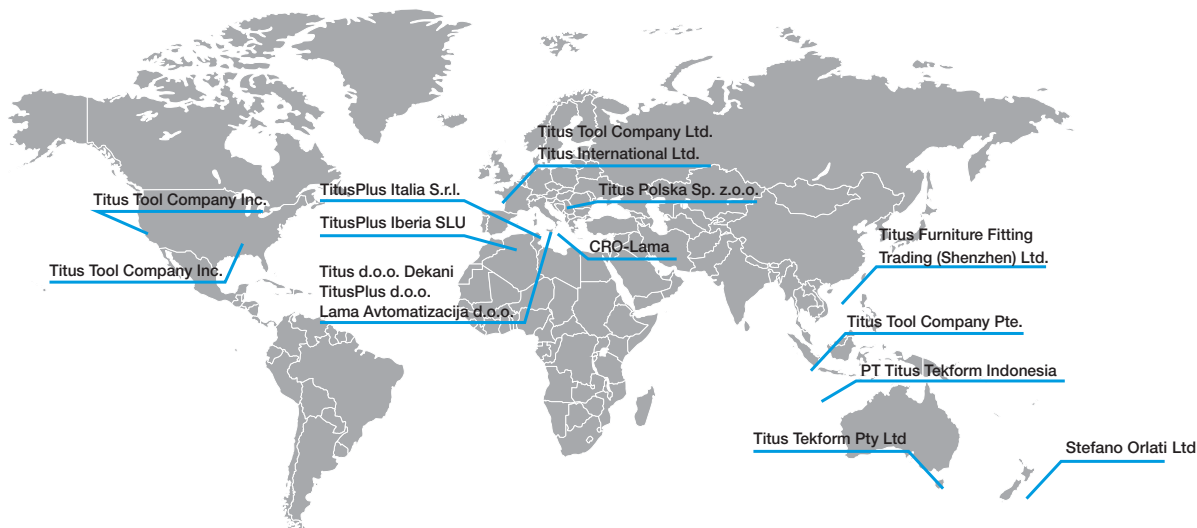
Depth (mm)	Width (mm)	Height (mm)	To suit cabinet width (mm)	Capacity	Mounting	Closing	Item Number
510	368	575	400	1x 35L	Door	Soft Close	607.8G07.435.271.P20
510	418	550	450	1x 48L	Door	Soft Close	607.8G07.450.351.P20
510	568	575	600	2x 35L	Door	Soft Close	607.8G07.470.241.P20
<ul style="list-style-type: none"> · For use with Slimline SDWD-T Push to Open drawers only · Push to open softclose hamper · Slimline SDWD-T drawer and mechanism included 							
510	368	575	400	1x 35L	Door	Soft Close	607.8G07.435.271
510	418	550	450	1x 48L	Door	Soft Close	607.8G07.450.351
510	568	575	600	2x 35L	Door	Soft Close	607.8G07.470.241
<ul style="list-style-type: none"> · For use with Tekform DWD and Tekform Slimline SDWD drawers 							

Laundry Innerware Hampers

- Wire basket laundry hamper solutions
- For Tekno Laundry Hampers → see page 9.45

	Height (mm)	Width (mm)	Depth (mm)	Item number
<p>Tilting Laundry Hamper</p> 	495	406	377	607.8E60.406.007
				<ul style="list-style-type: none"> · Includes flap stay · Chrome finish
<p>Laundry Hamper for Drawers</p> 	600	370	460	607.8E60.307.001
				<ul style="list-style-type: none"> · Mounts to drawer front and base · White powder coated finish

Worldwide design, manufacturing and distribution capabilities



Australia

New South Wales

Titus Tekform Pty Ltd
 83 Jemma Road
 Prestons, NSW, 2170
 +61 2 9826 0007
 +61 2 9826 0074 Fax
 salessyd@titusplus.com

Titus Tekform Pty Ltd
 Unit 3, 100 Munibung Road
 Cardiff, NSW, 2285
 +61 2 4954 4011
 +61 2 4954 4233 Fax
 salesnc@titusplus.com

Titus Tekform Pty Ltd
 Shop 6, 55 Heffernan Street
 Mitchell, ACT, 2911
 +614 28 922 629
 +61 2 9826 0074 Fax
 salesact@titusplus.com

Queensland

Titus Tekform Pty Ltd
 76 Northlink Place
 Virginia, QLD, 4014
 +61 7 3266 3999
 +61 7 3266 5234 Fax
 salesbris@titusplus.com

Titus Tekform Pty Ltd
 20 Civil Road
 Garbutt, QLD, 4814
 +61 7 4779 1366
 +61 7 4779 1316 Fax
 salestvl@titusplus.com

South Australia

Titus Tekform Pty Ltd
 PO Box 357
 Bayswater, VIC, 3153
 +61 8 8447 3700
 +61 8 8447 3183 Fax
 salessa@titusplus.com

Tasmania

Titus Tekform Pty Ltd
 88 Hopkins Street
 Moonah, TAS, 7009
 +61 3 6273 1199
 +61 3 6273 0050 Fax
 salestas@titusplus.com

Victoria

Titus Tekform Pty Ltd
 8/59 Jersey Road
 Bayswater, VIC, 3153
 +61 3 9737 5566
 +61 3 9729 8780 Fax
 salesmel@titusplus.com

Titus Tekform Pty Ltd
 2/24 Kane Road
 Wodonga, VIC, 3690
 +61 2 6056 3188
 +61 2 6056 3190 Fax
 saleswod@titusplus.com

Western Australia

Titus Tekform Pty Ltd
 5/2 Wittenberg Drive
 Canning Vale, WA, 6155
 +61 8 9455 2122
 +61 8 9455 3680 Fax
 saleswa@titusplus.com

Australia

www.titustekform.com.au
info@titustekform.com.au

New Zealand

Auckland

Stefano Orlati Ltd
 34 Waipareira Avenue
 Henderson, Auckland, 0610
 +64 9 837 0886
 +64 9 837 8003 Fax
nisales@stefano-orlati.co.nz

Christchurch

Stefano Orlati Ltd
 162 Wordsworth Street
 Sydenham, Christchurch, 8023
 +64 3 981 8518
 +64 3 942 7296 Fax
sisales@stefano-orlati.co.nz

New Zealand

www.stefano-orlati.co.nz
stefano-orlati@titusplus.com

Titus Group

Headquarters

Titus International Ltd
 325 Euston Road
 London
 NW1 3AD, United Kingdom
info@titusplus.com

www.titusplus.com
info@titusplus.com

Stefano Orlati

Titus+ Tekform

Titus Tekform Australia

www.titustekform.com.au

info@titustekform.com.au





 1300-0-TITUS

Stefano Orlati New Zealand

www.stefano-orlati.co.nz

stefano-orlati@titusplus.com

Connect with us

-  [LinkedIn.com/company/titustekform](https://www.linkedin.com/company/titustekform)
-  [Instagram.com/titustekform](https://www.instagram.com/titustekform)
-  [Pinterest.com/titustekform](https://www.pinterest.com/titustekform)
-  "Titus Tekform"