



Kitchen Innerware Storage Solutions

Innerware

Product guide

Kitchen Innerware

	Page
Quadra Anthracite Base Solutions	4
Quadra Anthracite Corner Solutions	5
Quadra Anthracite Pull-out Bins	7
Quadra Anthracite Pantry Solutions	8
Tekform Base Solutions	10
Tekform Corner Solutions	12
Tekform Pantry Solutions	16
Wire Drawers	17
Wire Storage Baskets	18
Kitchen Accessories	19

Laundry Innerware

Tekno Laundry Hampers	20
Wire Basket Laundry Hampers	21

Waste Bins

Kosara Softclose Bins	24
Tekno Softclose Bins	26
Tidy Bins	28
Twin Pull-out Bins	30

Pull-out Units

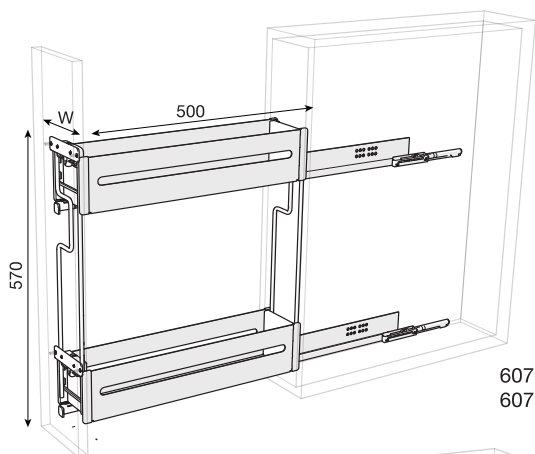


Kitchen Innerware Base Solutions

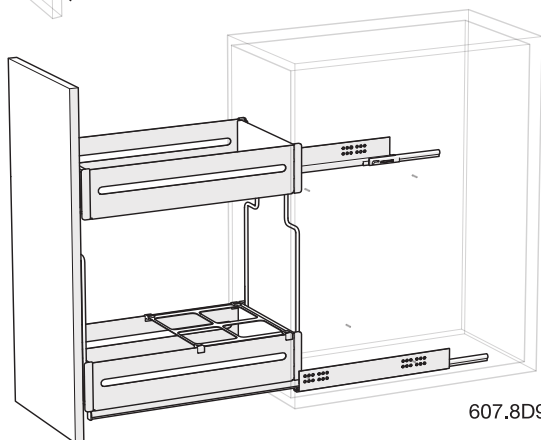
- Full extension soft-close runners
- Solid base for improved functionality
- Includes two non-slip mats
- Stylish anthracite finish



Quadra Base Pull-out Unit



607.8D90.150.004 /
607.8D90.200.004



607.8D90.300.004

Suits outside cabinet width (mm)	Width (mm)	Depth (mm)	Height (mm)	Weight capacity (kg)	Item number
150	110	500	570	20	607.8D90.150.004
200	164	500	570	20	607.8D90.200.004
300	264	500	570	20	607.8D90.300.004
200	Bottle Holder Insert →				607.D90.200.104
300	Bottle Holder Insert →				607.D90.300.104

· Bottle holders (pictured) sold separately

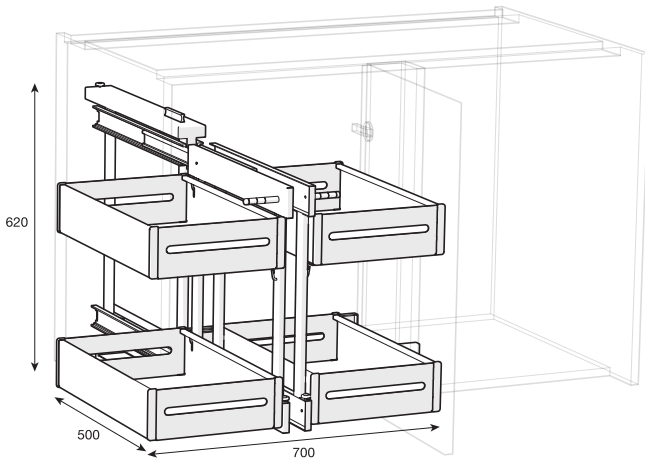
Kitchen Innerware Corner Solutions

- Door opening 450mm
- Integrated soft close damping
- Universal mechanism for left and right
- Complete access to corner storage
- Solid base for improved functionality
- Includes four non-slip mats
- Stylish anthracite finish
- 8kg weight capacity per tray



Quadra Complete Out Corner Unit

Suits outside cabinet width (mm)	Width (mm)	Depth (mm)	Height (mm)	Weight capacity (kg)	Item number
900	700	500	620	32	607.8D25.045.004

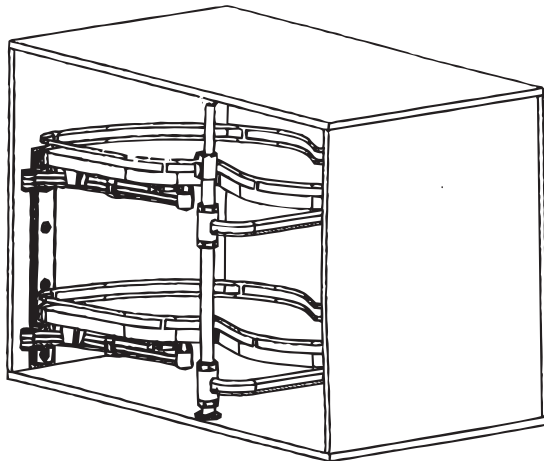


Kitchen Innerware Corner Solutions

- Optimise storage with corner access
- Two independent swivel shelves
- Integrated soft close damping



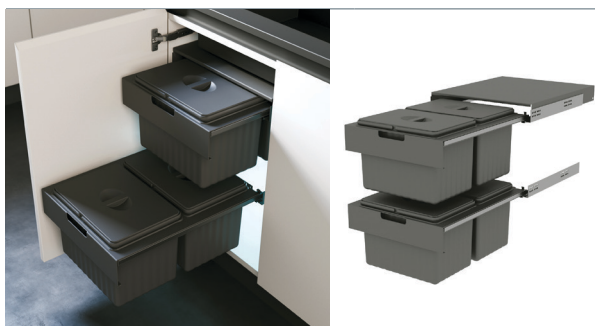
Ovalina Corner Swivel Unit



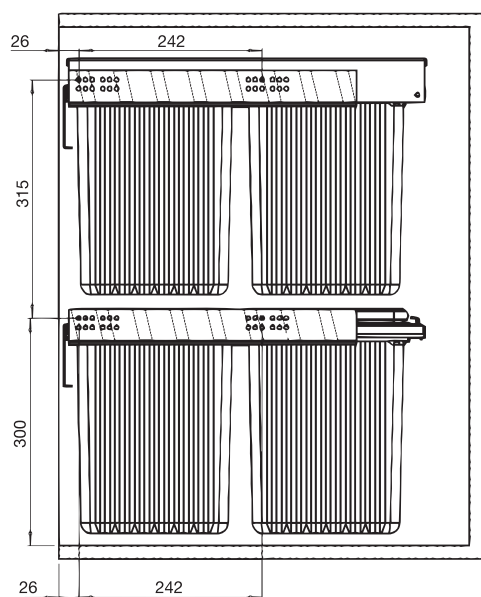
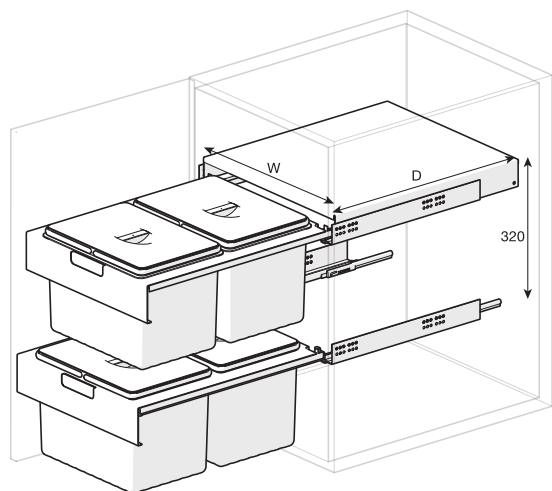
Opening direction	Suits outside cabinet width (mm)	Width (mm)	Depth (mm)	Height (mm)	Weight capacity (kg)	Item number
Left	900	860	500	600	20	607.8D26.090.004
Right	900	860	500	600	20	607.8D27.090.004

Kitchen Innerware Pull-out Bins

- Full extension soft close runners
- Four waste bins for easy recycling separation
- Independent pull-out shelves
- Removable bin lids



Quadra Pull-out Bin



Suits outside cabinet width (mm)	Width (mm)	Depth (mm)	Height (mm)	Capacity	Mounting	Item number
----------------------------------	------------	------------	-------------	----------	----------	-------------

450	418	487	320	4x 16L	Base	607.8G05.045.004
-----	-----	-----	-----	--------	------	------------------

600	568	487	320	4x 16L	Base	607.8G05.060.004
-----	-----	-----	-----	--------	------	------------------

Kitchen Innerware

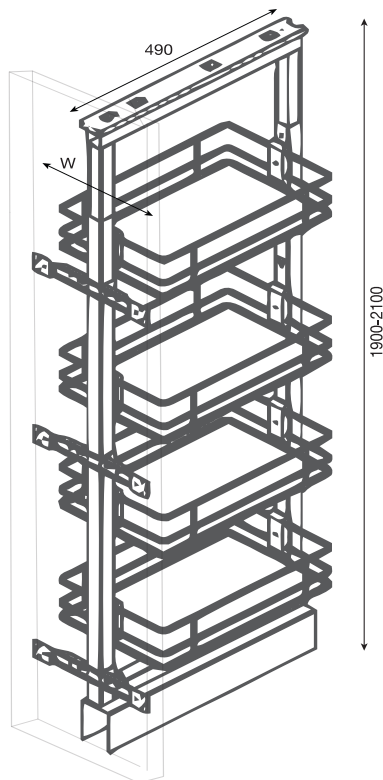
Pantry Solutions

- Soft close damping technology
- 5 solid base baskets
- 120kg full extension capacity
- Includes five non-slip mats
- Stylish anthracite finish



Quadra Tall Pull-out Pantry Unit

Suits outside cabinet width (mm)	Width (mm)	Depth (mm)	Height (mm)	Item number
300	240	490	1900-2100	607.8D55.030.004
400	340	490	1900-2100	607.8D55.040.004

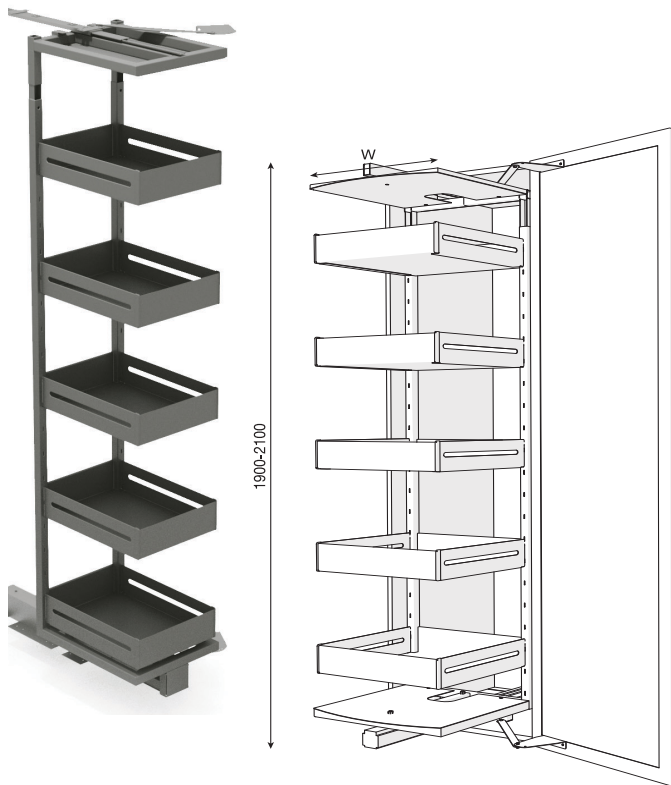


Kitchen Innerware Pantry Solutions

- Soft close damping technology
- Slide-out design for full basket access
- 5 solid-base baskets
- 120kg full extension capacity
- Includes five non-slip mats
- Stylish anthracite finish



Quadra Tall Slide-out Pantry Unit



Suits outside cabinet width (mm)	Width (mm)	Depth (mm)	Height (mm)	Item number
450	414	500	1900-2100	607.8D55.045.004
600	564	500	1900-2100	607.8D55.060.004

Kitchen Innerware Base Solutions

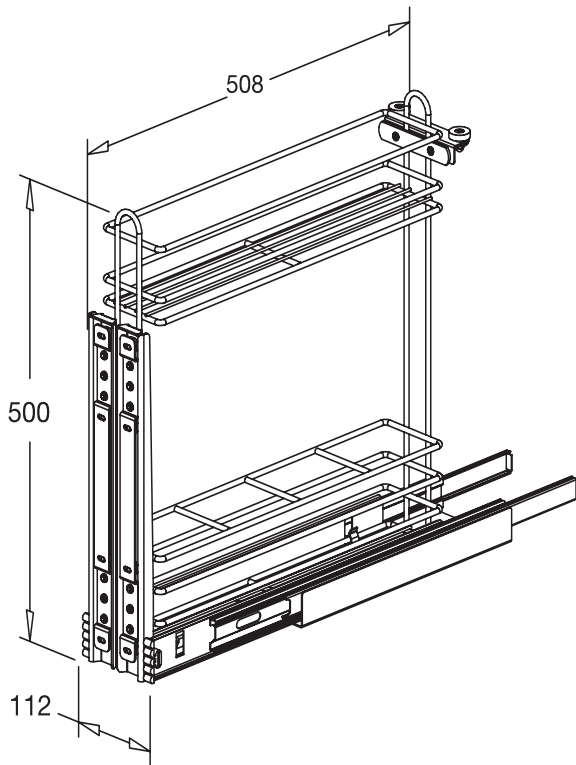
- Integrated soft close damping
- Side mount installation
- Chrome plated finish
- 15kg load capacity recommended per basket



Narrow Side Mount Pull-out Utility Unit

Suits outside cabinet width (mm)	Width (mm)	Depth (mm)	Height (mm)	Weight capacity (kg)	Item number
----------------------------------	------------	------------	-------------	----------------------	-------------

150	112	508	500	40	607.8D80.500.015U
-----	-----	-----	-----	----	-------------------

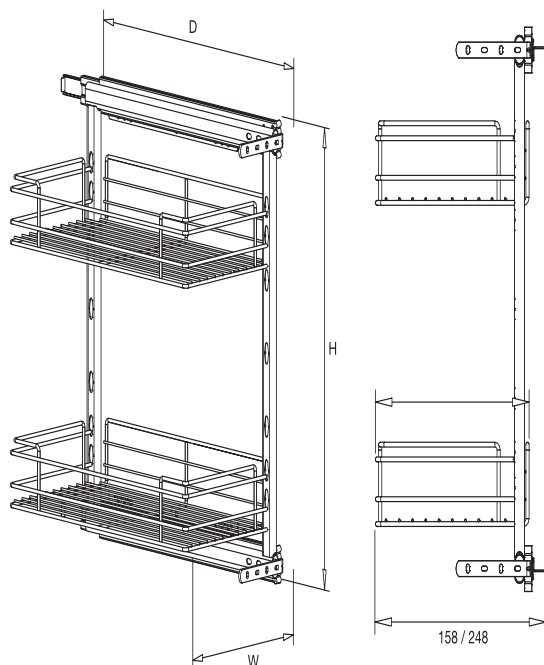


Kitchen Innerware Base Solutions

- Suitable for hinge or panel door
- Universal left or right hand mounting
- Integrated soft close function
- Includes 2 baskets



Side Mount Pull-out Utility Unit



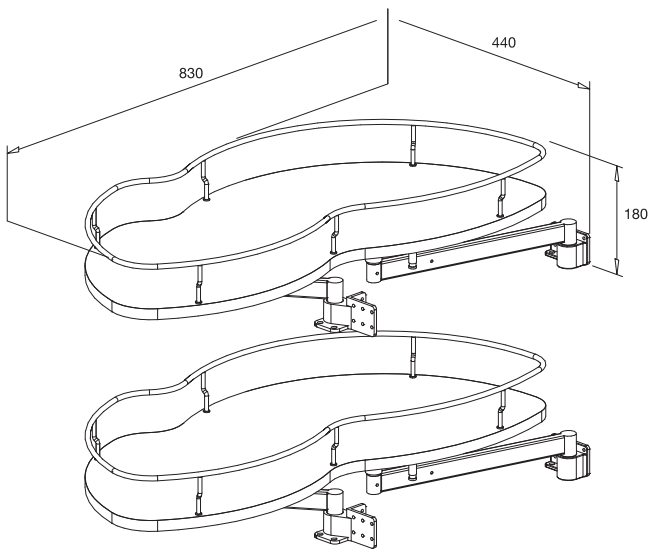
Suits cabinet width (mm)	Width (mm)	Depth (mm)	Height (mm)	Weight capacity (kg)	Item number
200	158	488	569	40	607.8D90.596.020U
300	248	488	569	40	607.8D90.596.030U

Kitchen Innerware Corner Solutions

- Utilise wasted corner space for storage
- Suitable for hinge or panel doors
- Integrated soft close damping



Swivel Corner Unit



Opening direction	Suits outside cabinet width (mm)	Width (mm)	Depth (mm)	Height (mm)	Weight capacity (kg)	Item number
Left-hand	450	440	830	180	20	607.8D25.210.090
Right-hand	450	440	830	180	20	607.8D25.220.090

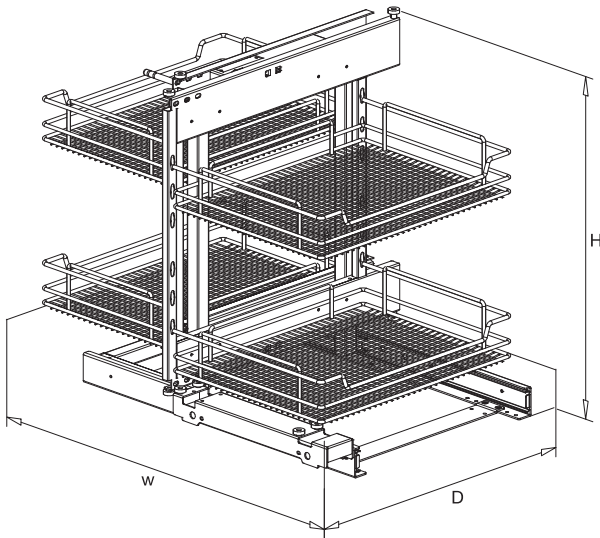
Kitchen Innerware Corner Solutions

- Utilise wasted corner space for storage
- Innovative mesh basket design
- Suitable for hinge or panel doors
- Universal left and right handed hinge doors
- Integrated soft close damping



Full Access Corner Unit

Suits outside cabinet width (mm)	Width (mm)	Depth (mm)	Height (mm)	Weight capacity (kg)	Item number
450	615	525	595	20	607.8D25.595.045



Kitchen Innerware

Corner Solutions

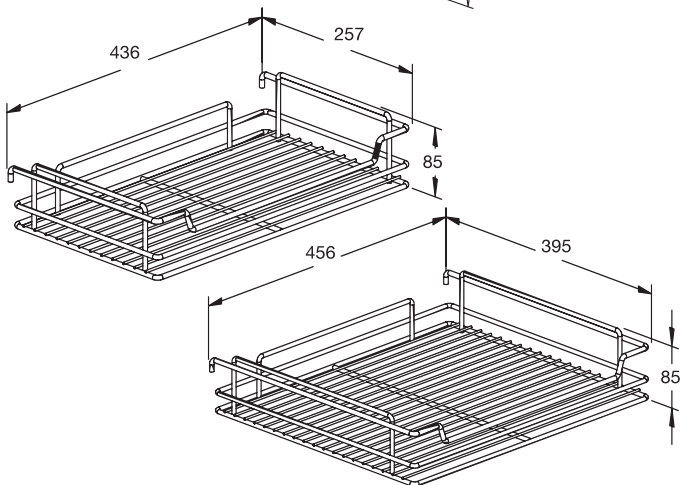
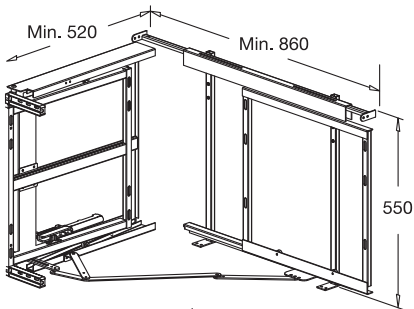
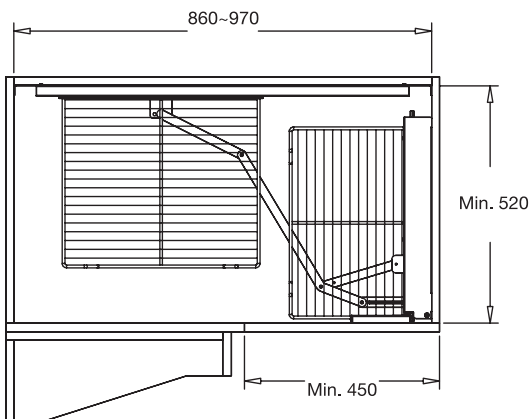
- Utilise wasted corner space for storage
- Innovative mesh basket design
- Universal for left and right handed doors
- Integrated soft close damping



Universal Magic Corner Unit

Suits outside cabinet width (mm)	Width (mm)	Depth (mm)	Height (mm)	Weight capacity (kg)	Item number
----------------------------------	------------	------------	-------------	----------------------	-------------

450	864-964	520	550	20	607.8D26.520.045U
-----	---------	-----	-----	----	-------------------

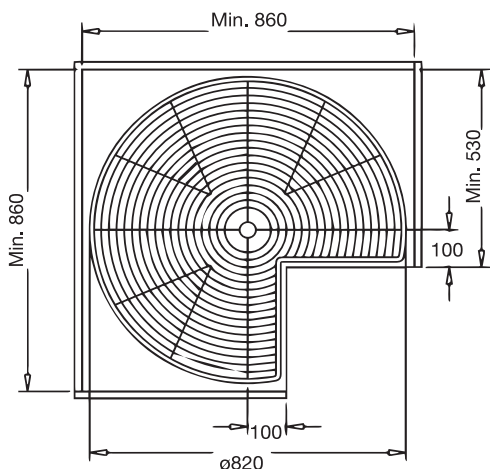
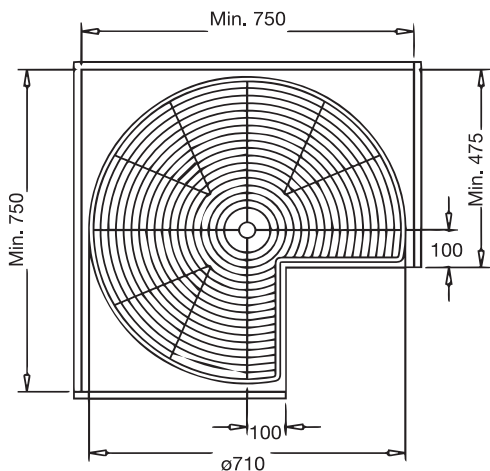


Kitchen Innerware Corner Solutions

- 270° rotation
- Each carousel rotates independently for easy access and cleaning



270° Lazy Susan Corner Unit



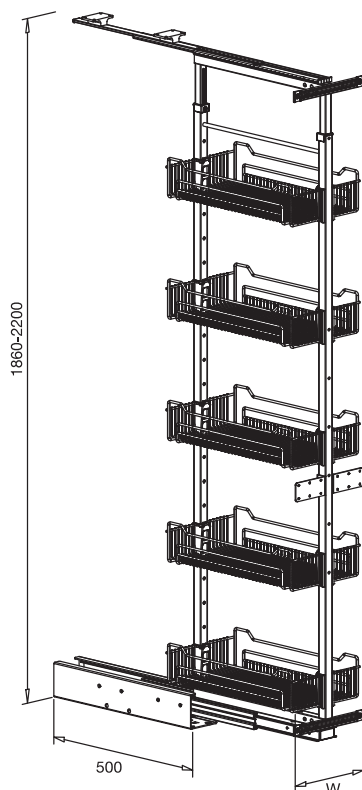
Suits outside cabinet width (mm)	Diameter (mm)	Height (mm)	Weight capacity (kg)	Item number
800	710	565-790	20	607.8D25.070.090
900	820	635-800	20	607.8D25.080.090

Kitchen Innerware Pantry Solutions

- Integrated soft close function
- Innovative mesh basket design
- Includes 5 inner baskets
- Weight capacity 100kg
- Min. internal carcass depth 510mm



Pull-out Pantry Unit with Soft Close



Suits outside cabinet width (mm)	Width (mm)	Depth (mm)	Height (mm)	Item number
----------------------------------	------------	------------	-------------	-------------

300	250	500	1860-2200	607.8D55.222.030
400	345	500	1860-2200	607.8D55.222.040

· Min. internal carcass depth 510mm

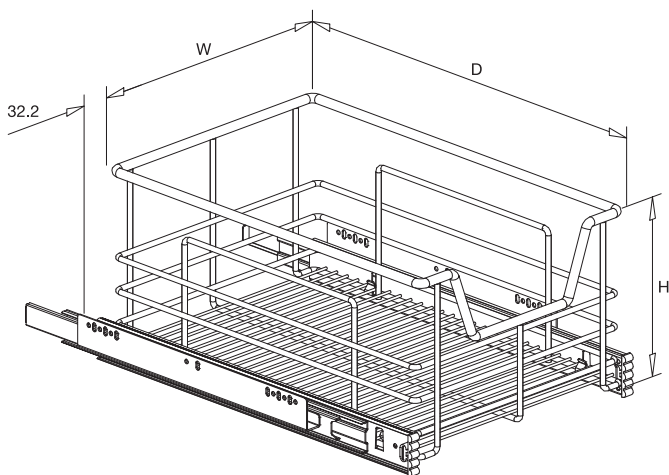
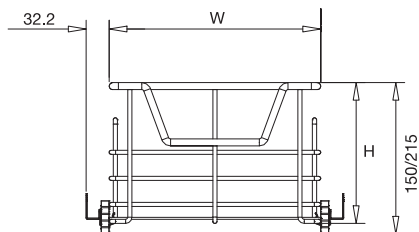
Kitchen Innerware

Wire Drawers

- Integrated soft close function
- Pull-out wire drawers for kitchen storage
- Weight capacity 40kg




Wire Drawers with Soft Close



Suits outside cabinet width (mm)	Width (mm)	Depth (mm)	Height (mm)	Item number
450	410-418	453	200	607.8D15.200.045
500	460-468	453	200	607.8D15.200.050
600	560-568	453	200	607.8D15.200.060
800	760-768	453	200	607.8D15.200.080
900	860-868	453	200	607.8D15.200.090
400	360-368	453	135	607.8D15.135.040
450	410-418	453	135	607.8D15.135.045
500	460-468	453	135	607.8D15.135.050
600	560-568	453	135	607.8D15.135.060
800	760-768	453	135	607.8D15.135.080
900	860-868	453	135	607.8D15.135.090



Kitchen Innerware

Wire Storage Baskets

	Internal cabinet width (mm)	Depth (mm)	Height (mm)	Item number
Wire Storage Basket with slides 	466	400	200	607.8F02.168.002
	393	450	200	607.8F02.172.002
	393	450	140	607.8F02.174.002
	416	450	200	607.8F02.176.002
	· White finish			

Kitchen Accessories

Kitchen Towel Rails

	Arms	Length (mm)	Finish	Item number
<p>Tea Towel Rail</p>  <p>Made of steel</p>	2	470	Chrome	607.8G03.890.200
<p>D-shape Tea Towel Rail</p>  <p>Made of steel</p>		300	Chrome	607.8G00.905.300
		380	Chrome	607.8G00.905.380

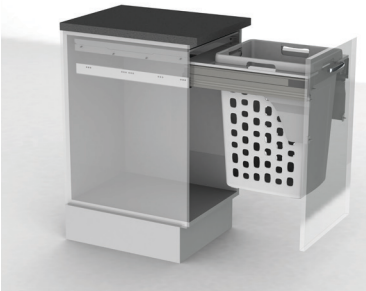
Laundry Innerware

Tekno Softclose Hampers

- Hampers suitable for use with Tekform Drawer
- For Tekno waste bins see page 9.43





Laundry Hamper



Depth (mm)	Width (mm)	Height (mm)	To suit cabinet width (mm)	Capacity	Mounting	Closing	Item Number
510	368	575	400	1x 35L	Door	Soft Close	607.8G07.435.271
510	418	550	450	1x 48L	Door	Soft Close	607.8G07.450.351
510	568	575	600	2x 35L	Door	Soft Close	607.8G07.470.241

Laundry Innerware Hampers

- Wire basket laundry hamper solutions
- For Tekno Laundry Hampers → see page 9.45

	Height (mm)	Width (mm)	Depth (mm)	Item number
<p>Tilting Laundry Hamper</p> 	495	406	377	607.8E60.406.007
				<ul style="list-style-type: none"> · Includes flap stay · Chrome finish
<p>Laundry Hamper for Drawers</p> 	600	370	460	607.8E60.307.001
				<ul style="list-style-type: none"> · Mounts to drawer front and base · White powder coated finish



Slimline Inner Drawers

Tekform Slimline Drawers offer a flexible alternative to pantry pull-out units. Available in white and anthracite finishes with optional glass sides.

Drawer	Height	Lengths
Slimline SDWD70	70mm	270mm, 350mm, 400mm, 450mm, 500mm, 550mm
Slimline SDWD100	100mm	270mm, 350mm, 400mm, 450mm, 500mm, 550mm
Slimline SDWD145	145mm	270mm, 350mm, 400mm, 450mm, 500mm, 550mm
Slimline SDWD182	182mm	270mm, 350mm, 400mm, 450mm, 500mm, 550mm

Ensure consistency in style and application throughout the kitchen with **Tekform Slimline Drawers**. With Titus proprietary soft close damping technology, Slimline Drawers are the perfect alternative to traditional pull-out units.

- Narrow 14mm sides for a sleek look and efficient utilisation of drawer space
- Full extension 40kg runners
- Two colour options
- Titus 'EasyFix' connectors
- Integrated Titus 'ConfidentClose' damping
- Quality tested and certified by FIRA Level H and CATAS
- Pair with the Titus T-type hinge for quick and efficient installation in tall door applications



Waste Bins

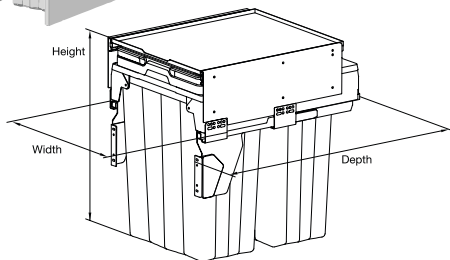
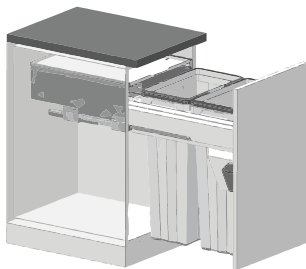
Waste Bins

Kosara Softclose Waste Bin

- Undermount soft close runner system
- 2 removable high impact plastic bins
- Door mounted
- Fitted metal lid with non-slip mat
- Modern anthracite finish



300mm Kosara Anthracite Bin with Soft Close

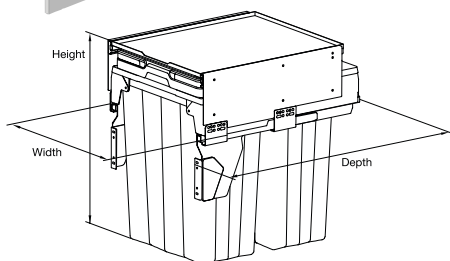
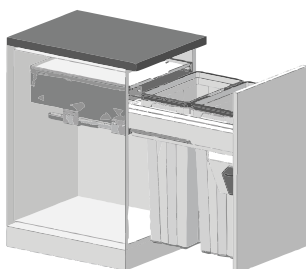


Made from plastic and steel

Depth (mm)	Width (mm)	Height (mm)	Capacity	Mounting	Item number
520	268	620	2x 16L	Door	607.8G05.332.134

- To suit 300mm cabinet width
- 32L total capacity

400mm Kosara Anthracite Bin with Soft Close



Made from plastic and steel

520	368	620	2x 31L	Door	607.8G05.362.144
-----	-----	-----	--------	------	------------------

- To suit 400mm cabinet width
- 62L total capacity

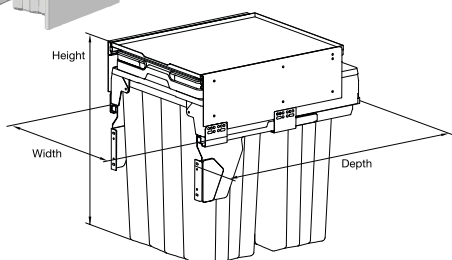
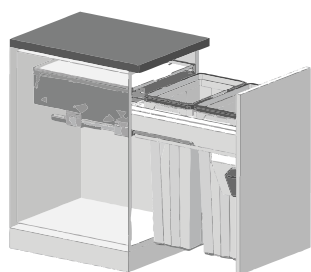
Waste Bins

Kosara Softclose Waste Bin

- Undermount soft close runner system
- 2 removable high impact plastic bins
- Door mounted
- Fitted metal lid with non-slip mat
- Modern anthracite finish

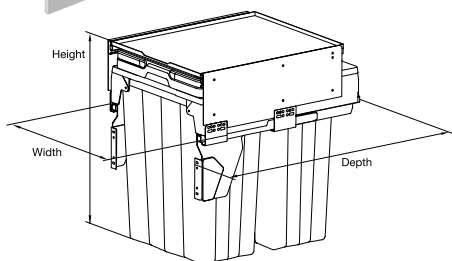
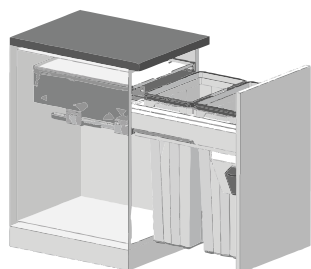


450mm Kosara Anthracite Bin with Soft Close



Made from plastic and steel

600mm Kosara Anthracite Bin with Soft Close



Made from plastic and steel

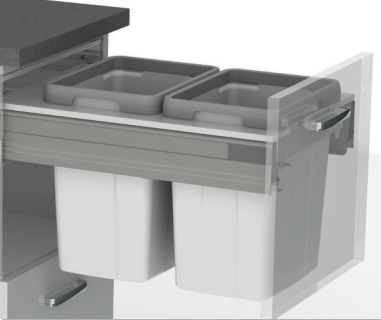



Depth (mm)	Width (mm)	Height (mm)	Capacity	Mounting	Item number
520	418	540	2x 33L	Door	607.8G05.366.174
520	418	620	2x 37L	Door	607.8G05.374.174
<ul style="list-style-type: none"> • To suit 450mm cabinet width 					

520	568	620	2x 16L 2x 31L	Door	607.8G05.394.164
<ul style="list-style-type: none"> • To suit 600mm cabinet width • 94L total capacity 					

Waste Bins

Tekno Softclose Bins

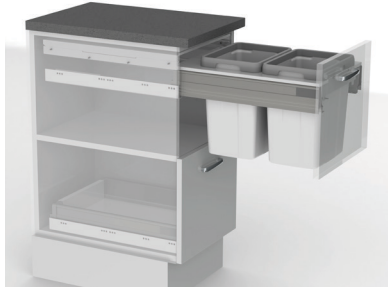
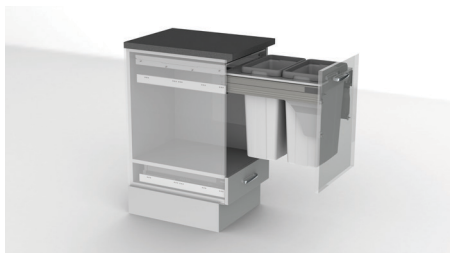
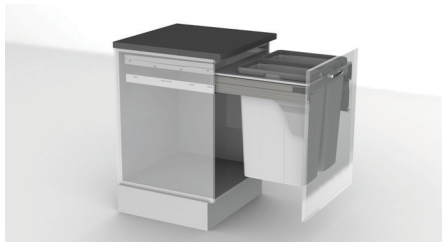
- To suit 400mm outside cabinet width
- Bins suitable for use with Tekform Drawer
- For Tekno Laundry Hampers, see page 9.20

	Depth (mm)	Width (mm)	Height (mm)	Capacity	Mounting	Closing	Item number
<p data-bbox="140 765 591 798">Tekno Bin with Soft Close 26L</p> 	506	368	340	26L	Door	Soft Close	607.8G06.304.040
<ul style="list-style-type: none"> · Includes 2x 13L buckets 							
<p data-bbox="140 1174 591 1207">Tekno Twin Bin with Soft Close 36L</p> 	506	368	470	36L	Door	Soft Close	607.8G06.302.040
<ul style="list-style-type: none"> · Includes 2x 18L buckets 							
<p data-bbox="140 1583 591 1616">Tekno Bin with Soft Close 35L</p> 	506	368	570	35L	Door	Soft Close	607.8G06.300.040
<ul style="list-style-type: none"> · Includes 1x 35L bucket 							

Waste Bins

Tekno Softclose Bins

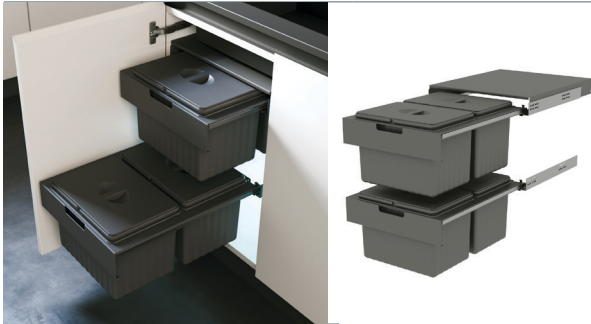
- Bins suitable for use with Tekform Drawer
- For Tekno Laundry Hampers, see page 9.20

	Depth (mm)	Width (mm)	Height (mm)	Capacity	Mounting	Closing	Item number
 <p>Tekno Bin with Soft Close 450</p>	506	418	470	2x 21L	Door	Soft Close	607.8G04.442.171
	506	418	570	2x 27L	Door	Soft Close	607.8G04.454.151
 <p>Tekno Twin Bin with Soft Close 70L</p>	· To suit 450mm cabinet width						
	506	562	506	2x 35L	Door	Soft Close	607.8G06.307.040
 <p>Spare Tekno Softclose 400mm Bin Frame</p>	· To suit 600mm cabinet width						
	513	368				Soft Close	607.8G06.308.040
<p>Spare Tekno Softclose 600mm Bin Frame</p>	513	568				Soft Close	607.8G06.309.040
<p>Spare Tekno Bin Bucket</p>				18L			607.8G06.310.180
<p>Spare Tekno Bin Bucket</p>				13L			607.8G06.309.130
<p>Spare Tekno Bin Bucket</p>				35L			607.8G06.309.350
· Replacement parts for Tekno Bins							

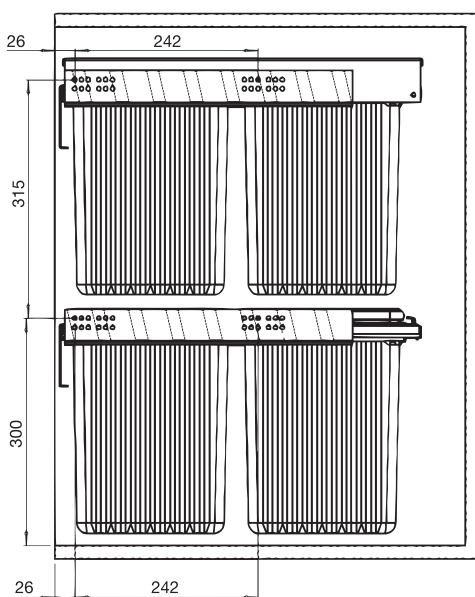
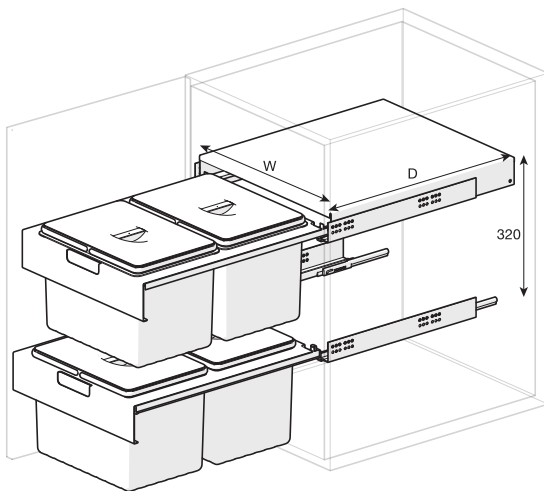
Waste Bins

Pull-out Bins

- Full extension soft close runners
- Four waste bins for easy recycling separation
- Independent pull-out shelves
- Removable bin lids



Quadra Pull-out Bin



Suits outside cabinet width (mm)	Width (mm)	Depth (mm)	Height (mm)	Capacity	Mounting	Item number
450	418	487	320	4x 16L	Base	607.8G05.045.004
600	568	487	320	4x 16L	Base	607.8G05.060.004

Waste Bins

Single Bins

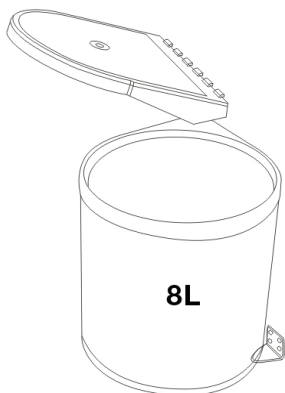
· Removable hi-impact bin for easy cleaning



Tidy Bin 8L

Depth (mm)	Width (mm)	Height (mm)	Capacity	Mounting	Item number	White
300	300	280	8L	Door	607.8G03.008 →	201

· Automatic right or left opening lid



Bottom Mounted Tidy Bin

360	262	310	15L	Bottom	607.8G06.115 →	101
-----	-----	-----	-----	--------	----------------	-----

- Ideal for apartment/townhouse living
- Small bin to suit vanity
- Perfect for under sink applications
- Simple DIY installation to the base of the cabinet
- Soft close ball bearing runners



Waste Bins

Pull-out Twin Bins

- Closed lid position minimises odours
- Removable hi-impact plastic bins for easy cleaning



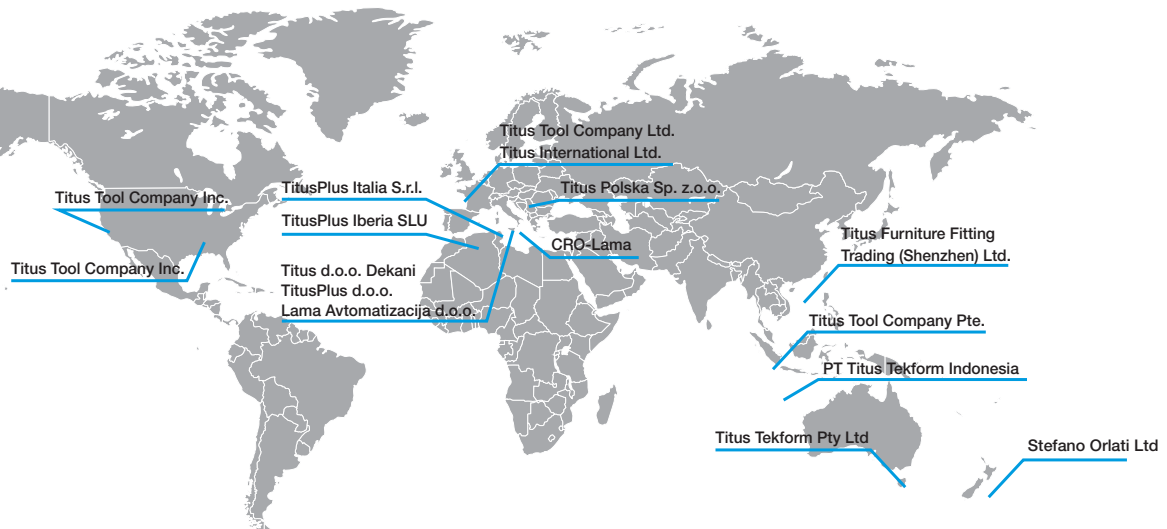
Twin Bin Pull-out Double Bins with Metal Frame



Depth (mm)	Width (mm)	Height (mm)	Capacity	Mounting	Closing	Item number	White
510	340	320	2x 15L	Bottom	Soft Close	607.8G06.130 →	101
510	340	380	2x 18L	Bottom	Soft Close	607.8G06.136 →	001
490	340	320	2x 15L	Door		607.8G06.030 →	201
490	340	380	2x 18L	Door	Soft Close	607.8G06.136 →	201

- Ideal for low shelf applications or plumbing
- Sturdy, hi-impact frame
- To suit 400mm cabinet

Worldwide design, manufacturing and distribution capabilities



Australia

New South Wales

Titus Tekform Pty Ltd
83 Jedda Road
Prestons, NSW, 2170
+61 2 9826 0007
+61 2 9826 0074 Fax
salesyjd@titusplus.com

Titus Tekform Pty Ltd
Unit 3, 100 Munibung Road
Cardiff, NSW, 2285
+61 2 4954 4011
+61 2 4954 4233 Fax
salesnc@titusplus.com

Titus Tekform Pty Ltd
Shop 6, 55 Heffernan Street
Mitchell, ACT, 2911
+614 28 922 629
+61 2 9826 0074 Fax
salesact@titusplus.com

Queensland

Titus Tekform Pty Ltd
76 Northlink Place
Virginia, QLD, 4014
+61 7 3266 3999
+61 7 3266 5234 Fax
salesbris@titusplus.com

Titus Tekform Pty Ltd
20 Civil Road
Garbutt, QLD, 4814
+61 7 4779 1366
+61 7 4779 1316 Fax
salestvl@titusplus.com

South Australia

Titus Tekform Pty Ltd
PO Box 357
Bayswater, VIC, 3153
+61 8 8447 3700
+61 8 8447 3183 Fax
salessa@titusplus.com

Tasmania

Titus Tekform Pty Ltd
88 Hopkins Street
Moonah, TAS, 7009
+61 3 6273 1199
+61 3 6273 0050 Fax
salestas@titusplus.com

Victoria

Titus Tekform Pty Ltd
8/59 Jersey Road
Bayswater, VIC, 3153
+61 3 9737 5566
+61 3 9729 8780 Fax
salesmel@titusplus.com

Titus Tekform Pty Ltd
2/24 Kane Road
Wodonga, VIC, 3690
+61 2 6056 3188
+61 2 6056 3190 Fax
saleswod@titusplus.com

Western Australia

Titus Tekform Pty Ltd
5/2 Wittenberg Drive
Canning Vale, WA, 6155
+61 8 9455 2122
+61 8 9455 3680 Fax
saleswa@titusplus.com

Australia

www.titustekform.com.au
info@titustekform.com.au

New Zealand

Auckland

Stefano Orlati Ltd
34 Waipareira Avenue
Henderson, Auckland, 0610
+64 9 837 0886
+64 9 837 8003 Fax
nisaless@stefano-orlati.co.nz

Christchurch

Stefano Orlati Ltd
162 Wordsworth Street
Sydenham, Christchurch, 8023
+64 3 981 8518
+64 3 942 7296 Fax
sisales@stefano-orlati.co.nz

New Zealand

www.stefano-orlati.co.nz
stefano-orlati@titusplus.com

Titus Group

Headquarters

Titus International Ltd
325 Euston Road
London
NW1 3AD, United Kingdom
info@titusplus.com

www.titusplus.com
info@titusplus.com



Titus Tekform Australia

www.titustekform.com.au

info@titustekform.com.au

 1300-0-TITUS

Stefano Orlati New Zealand

www.stefano-orlati.com

stefano-orlati@titusplus.com

Connect with us

 [LinkedIn.com/company/titustekform](https://www.linkedin.com/company/titustekform)

 [Instagram.com/titustekform](https://www.instagram.com/titustekform)

 [Pinterest.com/titustekform](https://www.pinterest.com/titustekform)

 "Titus Tekform"