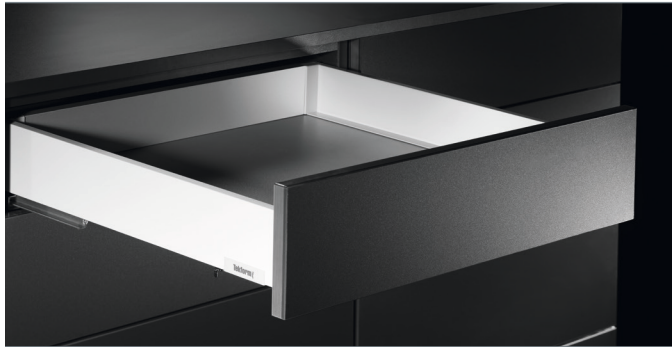
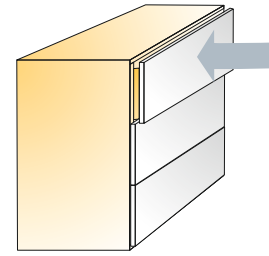


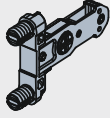
# Tekform Slimline SDWD-T

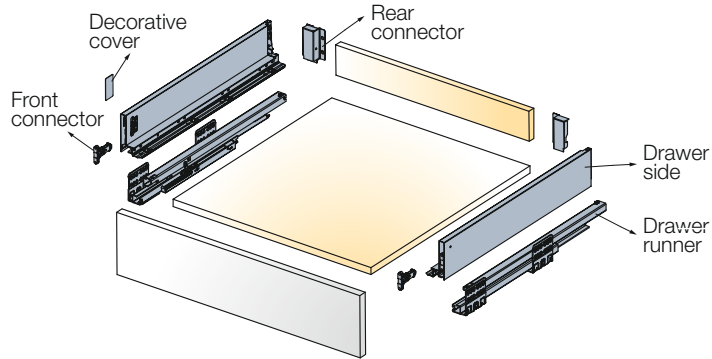
Touch Opening System

**Tekform** Titus<sup>+</sup>

# Tekform Slimline SDWD-T 70 Touch Opening System

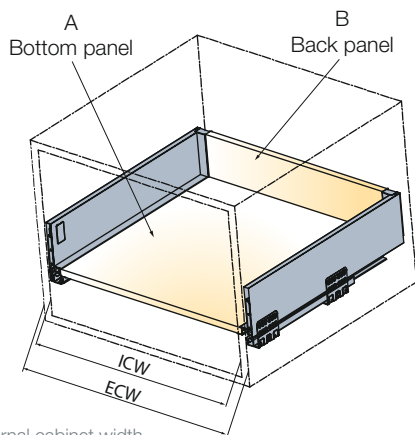


NL	with EasyFix front connector	
Nominal length (mm)		
	Item number for a set	White

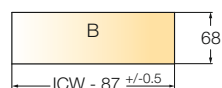
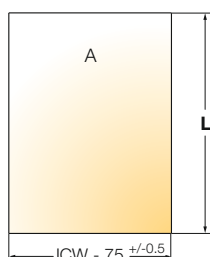


450	655.8T62 →	150.00
500	655.8T63 →	150.00

### Cutting dimensions details



ECW: External cabinet width  
ICW: Internal cabinet width  
NL: Nominal length of drawer  
L<sub>st</sub>: Length in case of steel back panel



L = NL - 10  
L<sub>st</sub>: NL - 20  
For further explanation → see page 3.8

### One set consists of

Drawer sides 2 pcs



Drawer runners 2 pcs



\*Front connectors 2 pcs



Rear connectors 2 pcs



Covers 2 pcs



2 pcs

Mounting instructions 1 pc/4 sets



 4 sets

Screws are not included

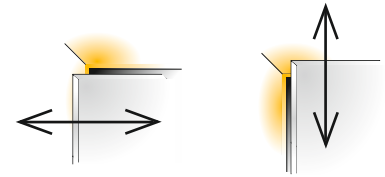
Touch opening



SDWD-T Mechanism  
→ see page 3.47

- Drawer runner type
- Load capacity
- Minimum height space required
- Wooden back panel thickness
- Wooden bottom panel thickness

full extension  
40 kg  
115mm  
16mm  
16mm



Side adjustment  
+1/-1mm

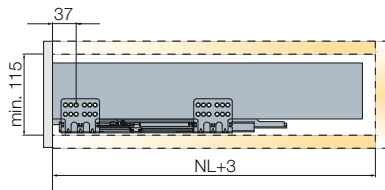
Height adjustment  
+2/-2mm

For further explanation → see page 3.10

**i** Works only with SDWD-T Mechanism  
→ see page 3.47

Installation dimensions

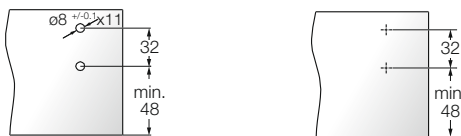
Minimum space required for the cabinet



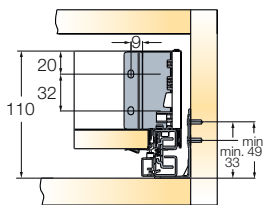
Drilling dimensions for the front panel

EasyFix attachment

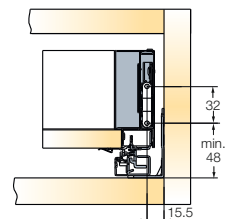
Screw-in attachment



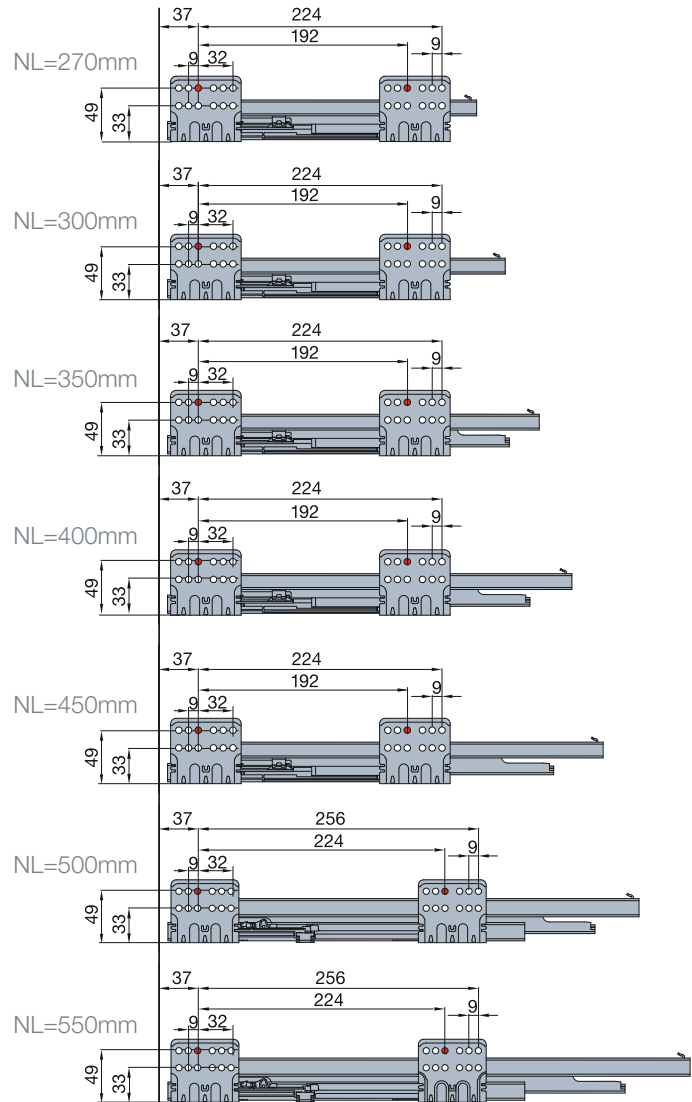
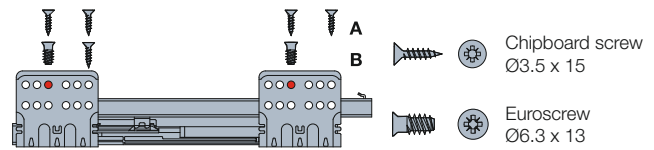
Mounting dimensions for the back panel



Installation dimensions for the front panel

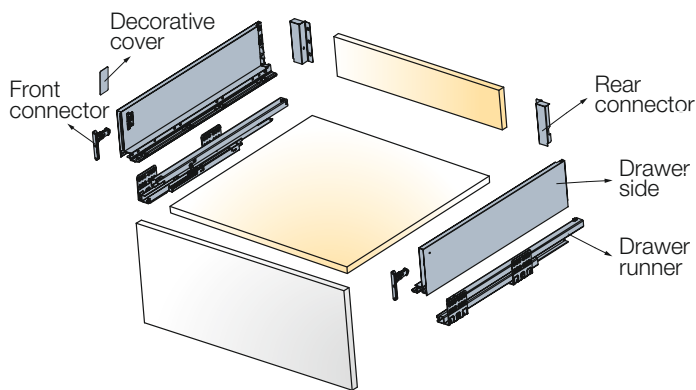
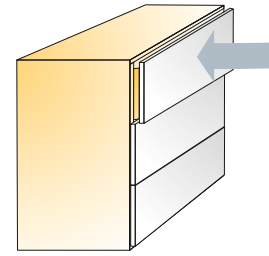


Drawer runner fixing positions

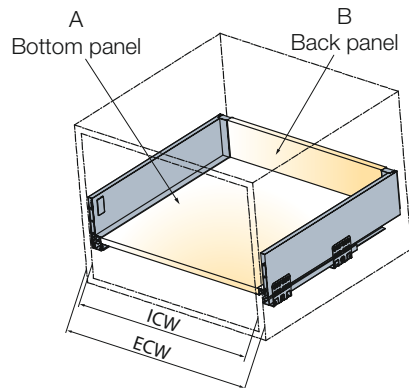


A trial mounting is always recommended.  
For further information please contact your  
Titus Group representative.

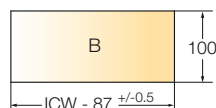
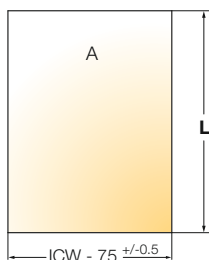
# Tekform Slimline SDWD-T 100 Touch Opening System



### Cutting dimensions details



ECW: External cabinet width  
ICW: Internal cabinet width  
NL: Nominal length of drawer



$L = NL - 10$   
For further explanation → see page 3.8

4 sets

NL	with EasyFix front connector		White
Nominal length (mm)			
	Item number for a set		
450	655.8U62 →		150.00
500	655.8U63 →		150.00
<b>One set consists of</b>			
Drawer sides		2 pcs	
Drawer runners		2 pcs	
*Front connectors		2 pcs	
Rear connectors		2 pcs	
Covers		2 pcs	
		2 pcs	
Mounting instructions		1 pc/4 sets	

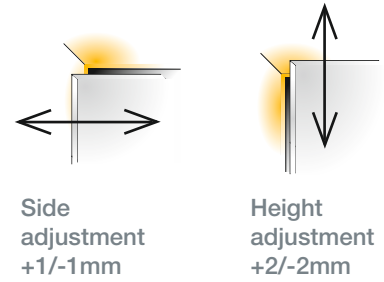
Screws are not included

Touch opening



SDWD-T Mechanism  
→ see page 3.47

- Drawer runner type full extension
- Load capacity 40 kg
- Minimum height per drawer required 147mm
- Wooden back panel thickness 16mm
- Wooden bottom panel thickness 16mm

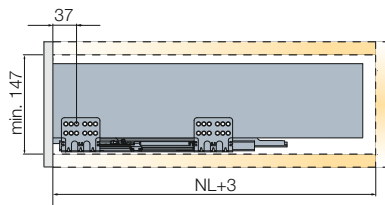


For further explanation → see page 3.10

**i** Works only with SDWD-T Mechanism  
→ see page 3.47

Installation dimensions

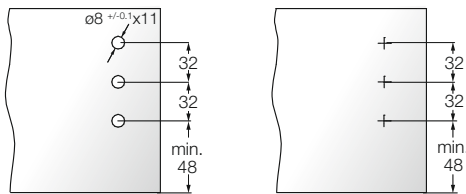
Minimum space required for the cabinet



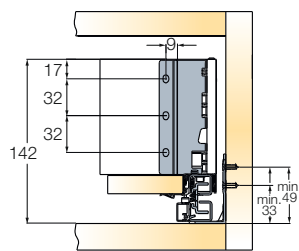
Drilling dimensions for the front panel

EasyFix attachment

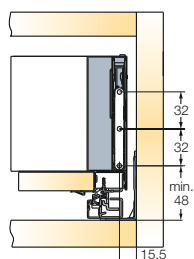
Screw-in attachment



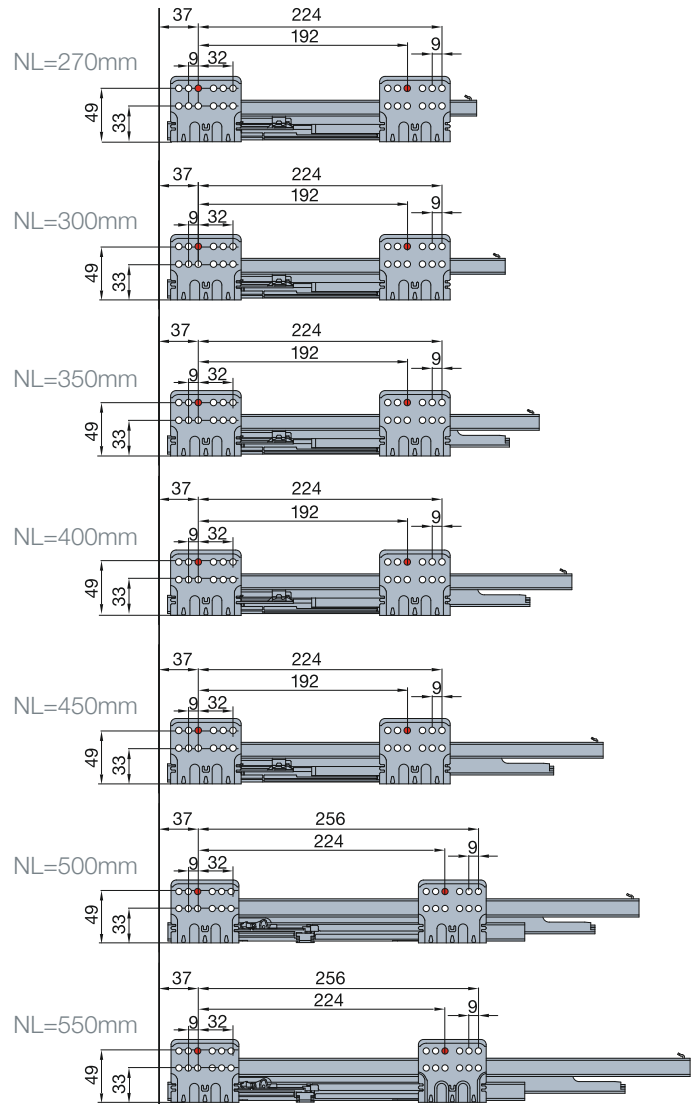
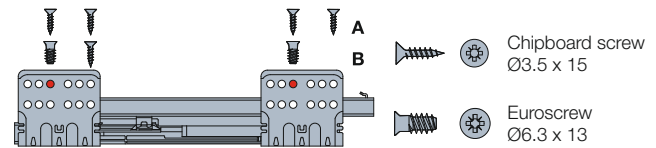
Mounting dimensions for the back panel



Installation dimensions for the front panel

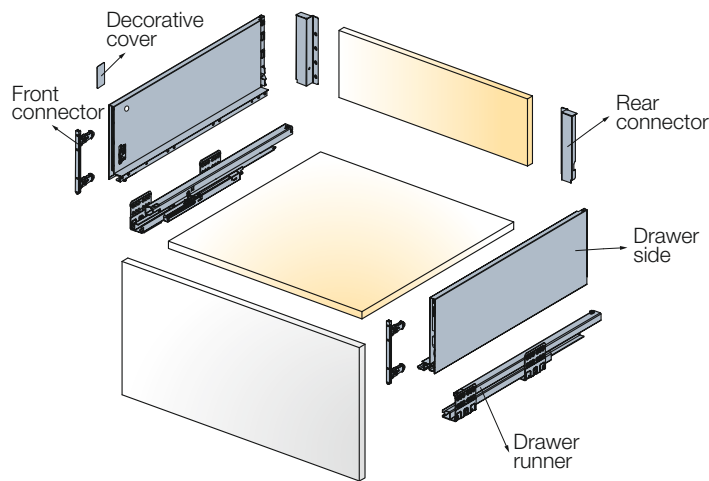
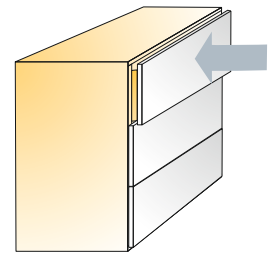


Drawer runner fixing positions

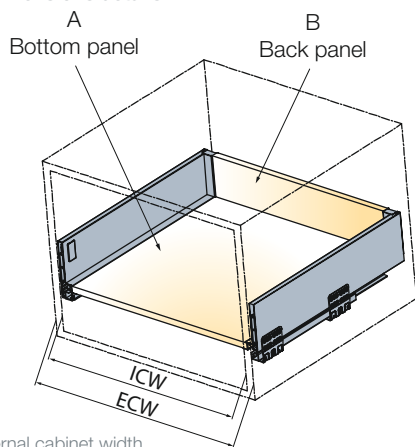


A trial mounting is always recommended.  
For further information please contact your Titus Group representative.

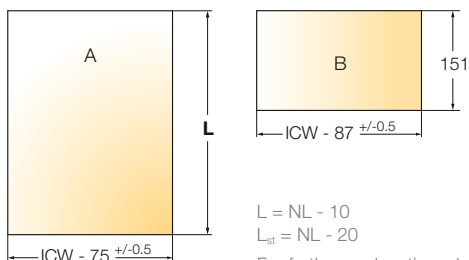
# Tekform Slimline SDWD-T 145 Touch Opening System



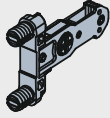
### Cutting dimensions details



ECW: External cabinet width  
ICW: Internal cabinet width  
NL: Nominal length of drawer  
L<sub>st</sub>: Length in case of steel back panel



 4 sets

NL	with EasyFix front connector	
Nominal length (mm)		White
	Item number for a set	

450	655.8V62 →	150.00
500	655.8V63 →	150.00

### One set consists of

Drawer sides		2 pcs
Drawer runners		2 pcs
*Front connectors		2 pcs
Rear connectors		2 pcs
Covers		2 pcs 2 pcs
Mounting instructions		1 pc/4 sets

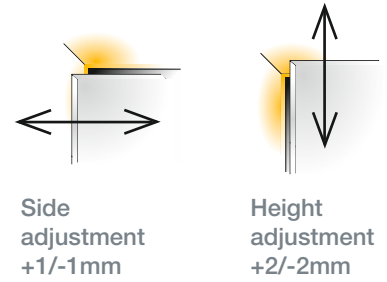
Screws are not included

Touch opening



SDWD-T Mechanism  
→ see page 3.47

- Drawer runner type full extension
- Load capacity 40 kg
- Minimum height per drawer required 198mm
- Wooden back panel thickness 16mm
- Wooden bottom panel thickness 16mm

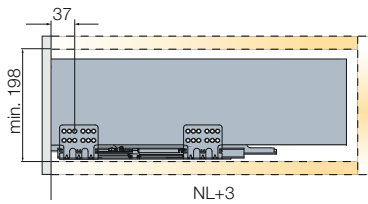


For further explanation → see page 3.10

**i** Works only with SDWD-T Mechanism  
→ see page 3.47

Installation dimensions

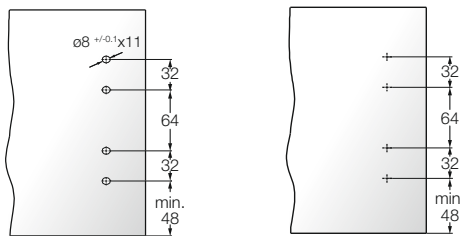
Minimum space required for the cabinet



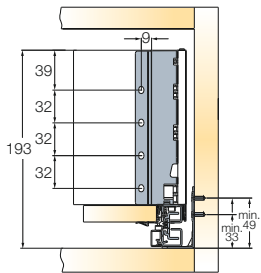
Drilling dimensions for the front panel

EasyFix attachment

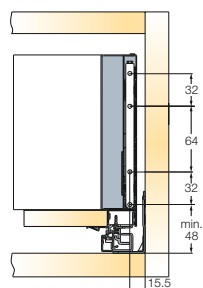
Screw-in attachment



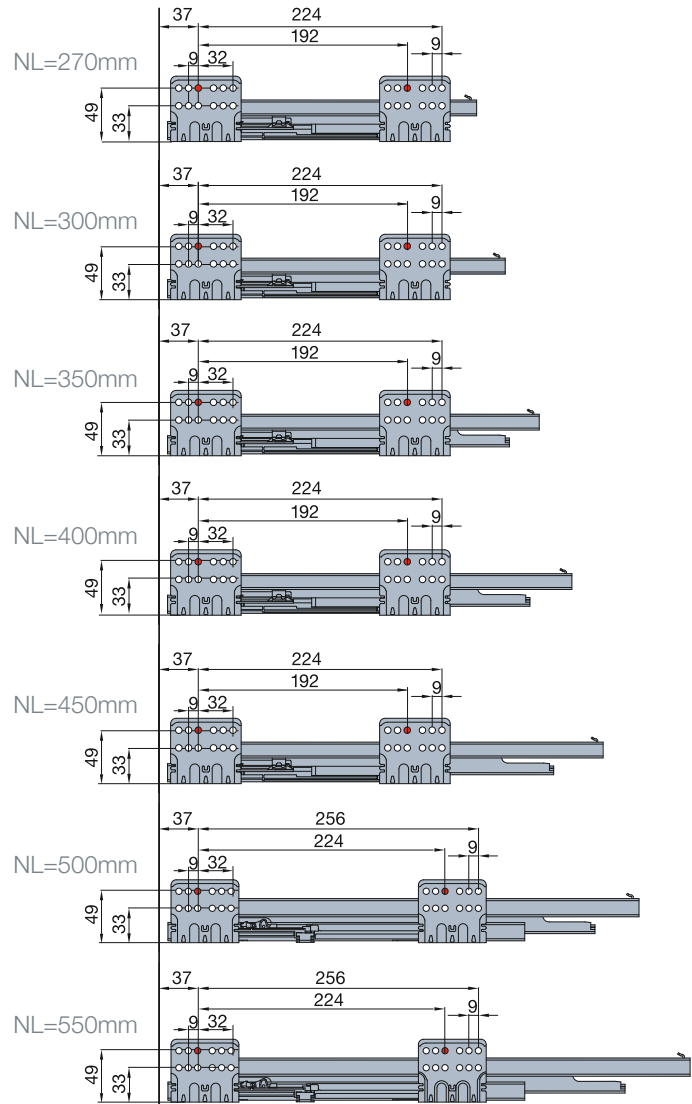
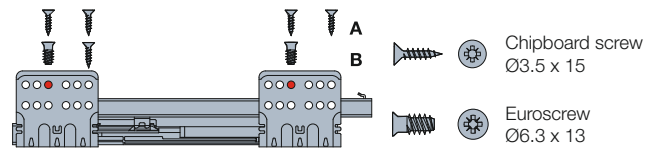
Mounting dimensions for the back panel



Installation dimensions for the front panel

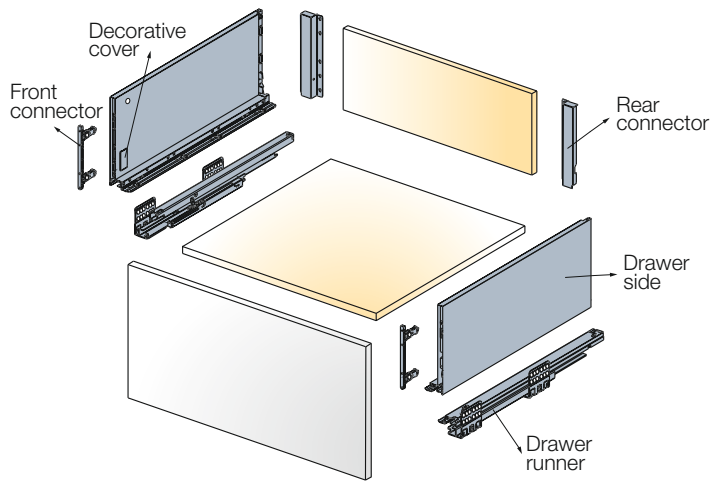
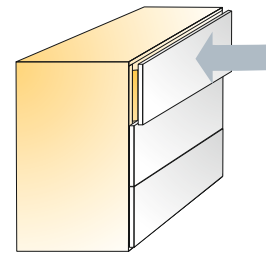


Drawer runner fixing positions

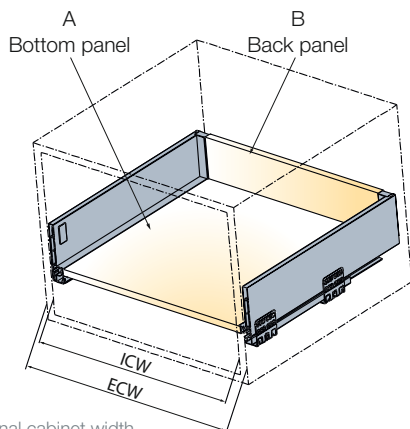


A trial mounting is always recommended.  
For further information please contact your  
Titus Group representative.

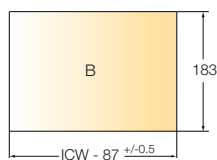
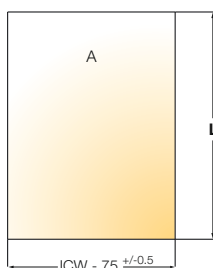
# Tekform Slimline SDWD-T 182 Touch Opening System



### Cutting dimensions details



ECW: External cabinet width  
ICW: Internal cabinet width  
NL: Nominal length of drawer  
L<sub>st</sub>: Length in case of steel back panel

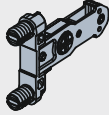


$$L = NL - 10$$

$$L_{st} = NL - 20$$


For further explanation → see page 3.8


 4 sets

NL	with EasyFix front connector	
Nominal length (mm)		White
	Item number for a set	

450	655.8Z62 →	150.00
500	655.8Z63 →	150.00

### One set consists of

Drawer sides  2 pcs

Drawer runners  2 pcs

\*Front connectors  2 pcs

Rear connectors  2 pcs

Covers  2 pcs  
2 pcs

Mounting instructions  1 pc/4 sets

Screws are not included

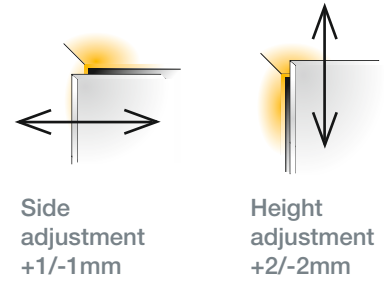
Touch opening



SDWD-T Mechanism  
→ see page 3.47



- Drawer runner type full extension
- Load capacity 40kg
- Minimum height per drawer required 230mm
- Wooden back panel thickness 16mm
- Wooden bottom panel thickness 16mm



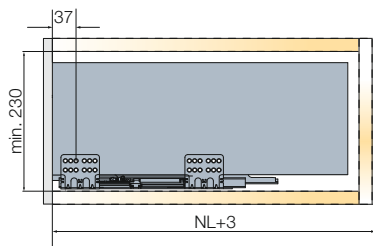
For further explanation → see page 3.10

**i** Works only with SDWD-T Mechanism  
→ see page 3.47

Installation dimensions

Drawer runner fixing positions

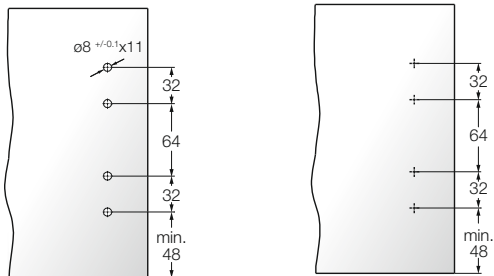
Minimum space required for the cabinet



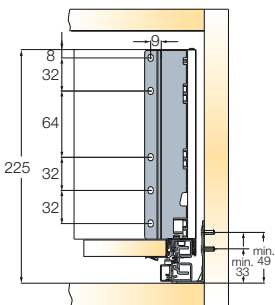
Drilling dimensions for the front panel

EasyFix attachment

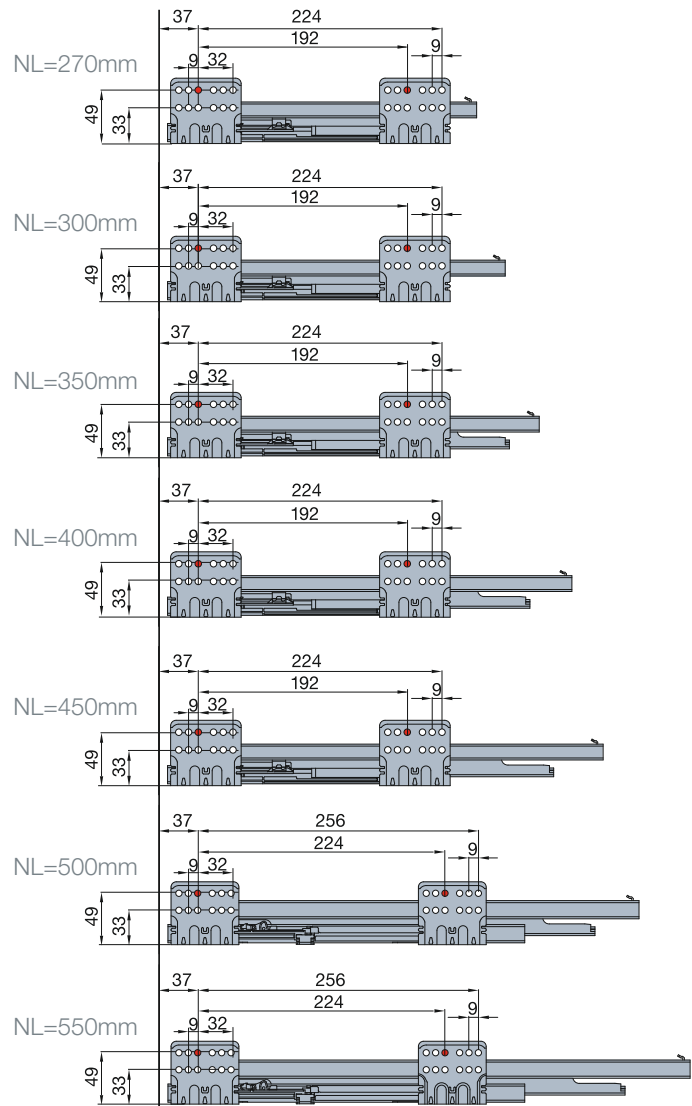
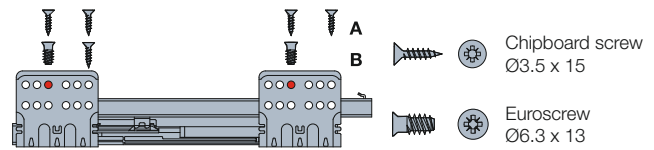
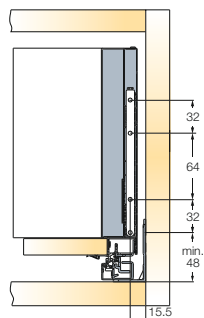
Screw-in attachment



Mounting dimensions for the back panel



Installation dimensions for the front panel

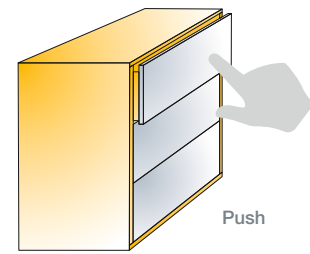


A trial mounting is always recommended.  
For further information please contact your Titus Group representative.

# Accessories

## SDWD-T Mechanism

### Touch Opening



Technical details

Item number

Zinc plated

655.9152

040

Set of 2 mechanisms (one drawer application):  
**655.9152.380.K1**

PushOpen  
Mechanism



2 pcs

Chipboard  
screws

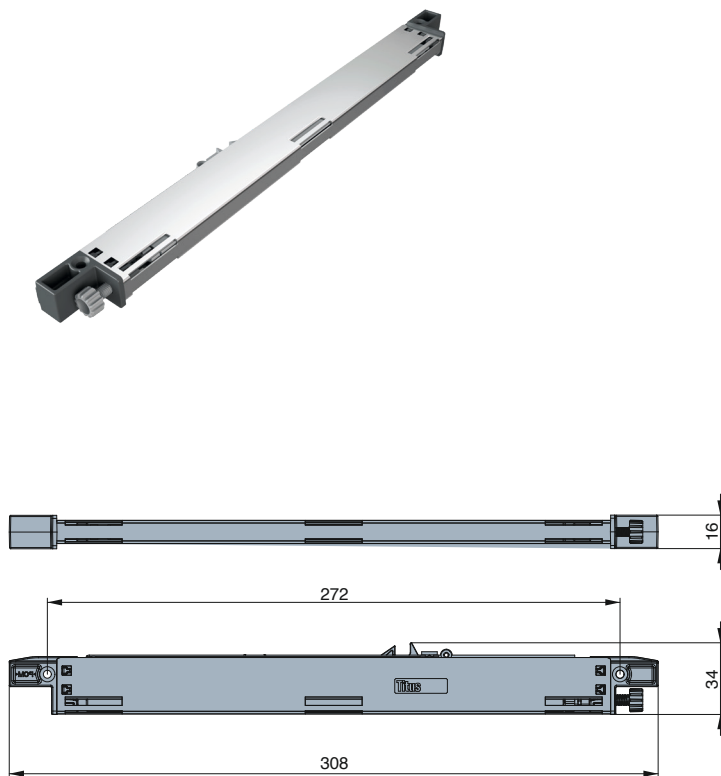


4 pcs

Mounting  
instructions



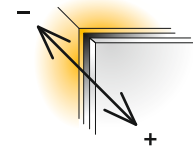
1 pc/set



 30 sets

Made of steel and plastic

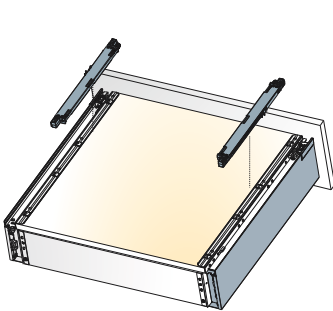
- Fast and intuitive mounting without pre-drilling
- Reliable and secure closing
- Non handed design
- Narrow 1.5mm operating gap for evenly aligned fronts



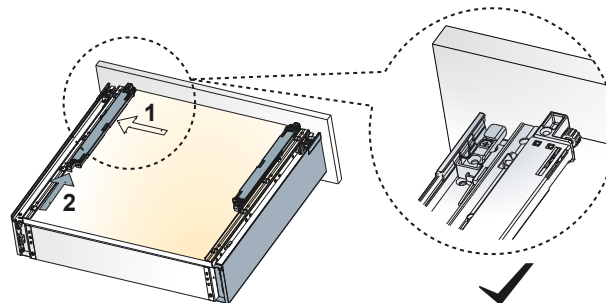
Depth adjustment  
-0.5/+2.5mm

**i** Works only with Slimline SDWD-T Drawers  
→ see page 3.15-3.32

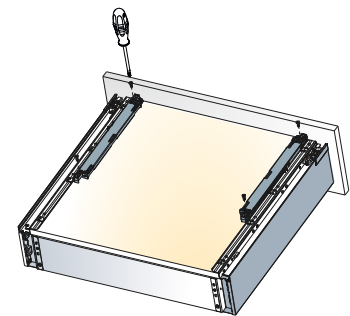
Mounting details



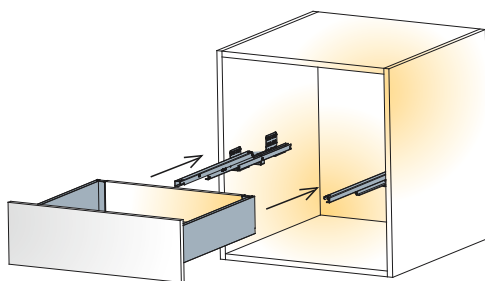
Position both SDWD-T mechanisms on the bottom of drawer



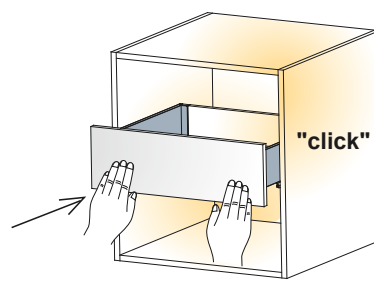
Align SDWD-T mechanisms with drawer lip and push to the front panel



Screw-on both mechanisms

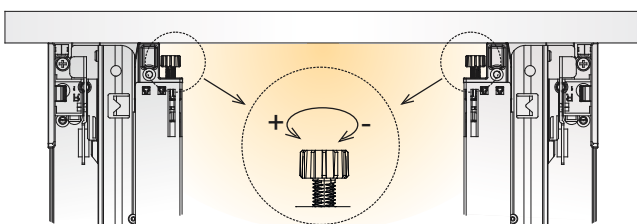


Place the drawer horizontally on the runners and push towards the cabinet until you hear the drawer is locked



Push to fully close

Depth adjustment



# Stefano Orlati

# Titus+ Tekform

## Titus Tekform Australia

[www.titustekform.com.au](http://www.titustekform.com.au)

[info@titustekform.com.au](mailto:info@titustekform.com.au)

1300-0-TITUS

## Stefano Orlati New Zealand

[www.stefano-orlati.com](http://www.stefano-orlati.com)

[stefano-orlati@titusplus.com](mailto:stefano-orlati@titusplus.com)

## Connect with us

 [LinkedIn.com/company/titustekform](https://www.linkedin.com/company/titustekform)

 [Instagram.com/titustekform](https://www.instagram.com/titustekform)

 [Pinterest.com/titustekform](https://www.pinterest.com/titustekform)

 "Titus Tekform"