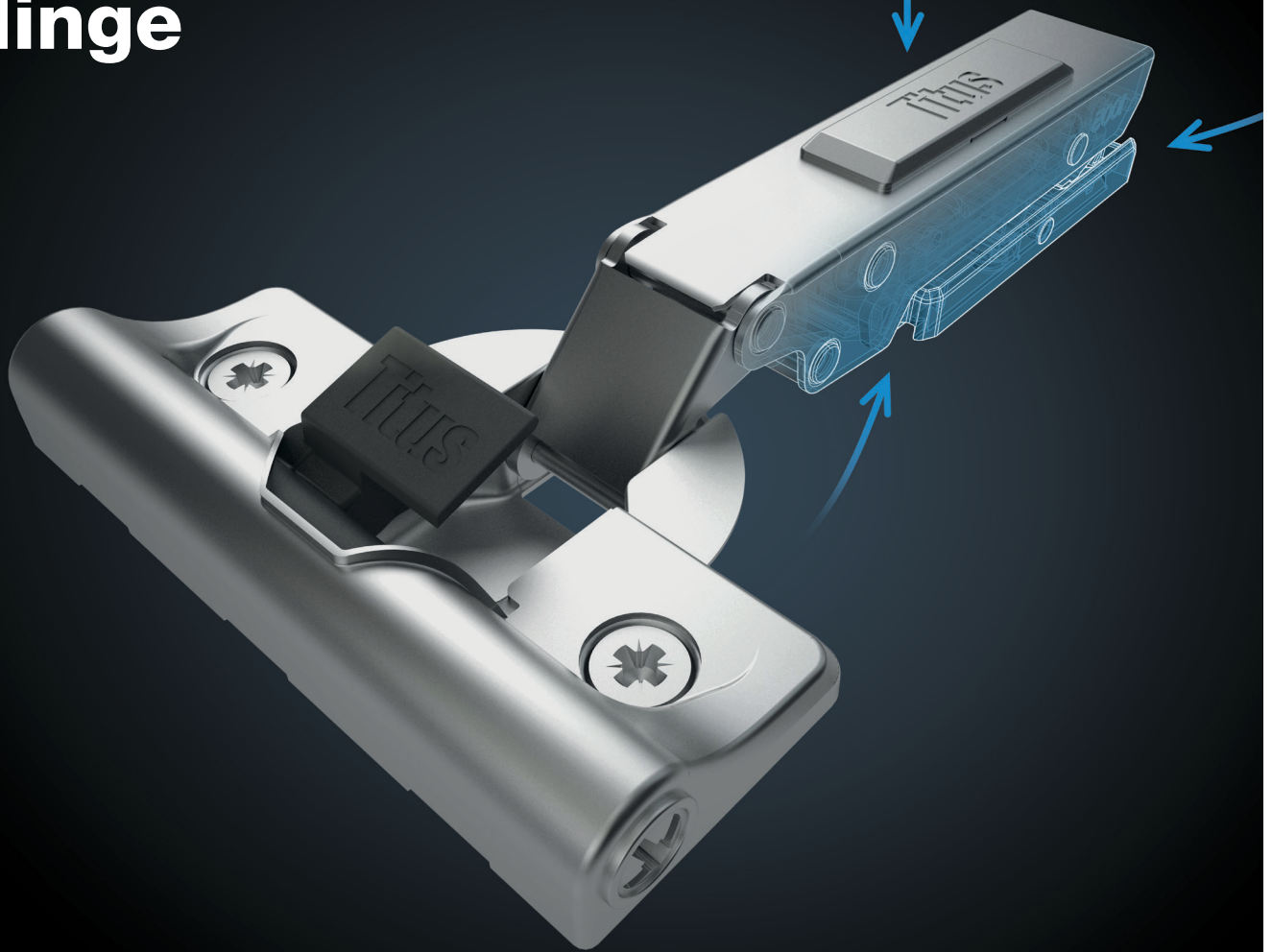


T-type Glissando Hinge



Titus

Titus New Generation Hinge Lifelong Consistent Performance

For the most demanding kitchen and furniture applications,
T-type has you covered.

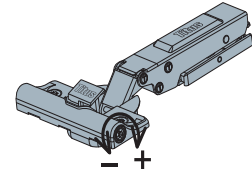
- Fits contemporary furniture without compromising on design
- Secure and silent soft closing
- Fast and easy cabinet assembly with 3Way mounting
- Tuned performance with adjustable damping
- Wide range of solutions across one platform

1300-0-TITUS
info@titustekform.com.au
www.titustekform.com.au



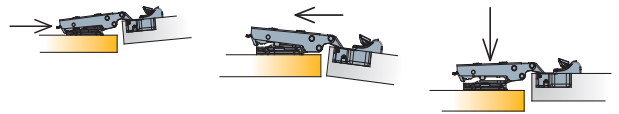
Adjustable 'Confident Close' damping

- Consistent performance on doors of different dimensions and weights
- Intuitive adjustment feature
- Proven Glissando hinge cup damping concept



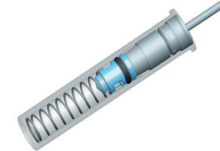
3Way snap-on mounting

- Intuitive hinge-to-plate mounting in three directions
- Enhanced assembly, particularly for tall doors
- Tight hinge-to-plate joint for improved stability and smooth performance



Titus Damper Inside

- Titus proprietary multi-purpose damping technology
- Reliable and consistent life-long soft close damping
- No rebound



Sleek design with low hinge cup depth

- Linear mounting plates available for clean lines
- Homogenous hinge design across various door applications and door thicknesses from 15mm



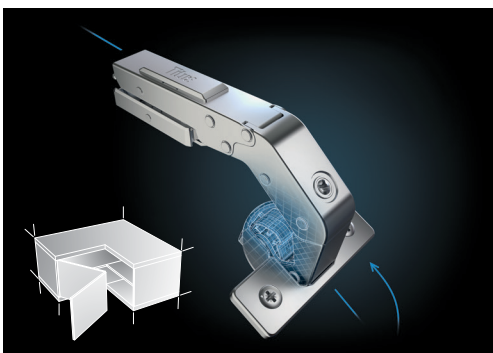
Reliable and consistent performance

- Highly tolerant for reliable door closing in case of accidental misalignment
- Fast closing with late start deceleration action
- Quiet landing with 'Soft Touch'



Technical Details

Opening Angle	110°, 170°
Hinge cup drilling depth	11.7mm
Drilling diameter for hinge cup	35mm
Hinge cup drilling pattern	45/9.5mm, 52/5.5mm
Hinge constant	13mm
Door Tab K	3-6mm
Maximum overlay	20mm
Crankings	0mm, 9mm, 17mm, angled
Fixing	screw-on ready, machine-insertion ready, EasyFix system
Door thickness	15-26mm
Mounting plate type	cruciform, linear



T-type Pie-cut Bi-Fold Corner Hinge

Wide opening angle for full cabinet access

Double lock hinge opening for easier handling and reliable door opening for a clean, unobstructed working space.

- 70° opening angle of Door A while Door B remains closed
- Door A locks into position at a 25° angle when both doors are open
- Both doors work as one and move away from the user's working space

