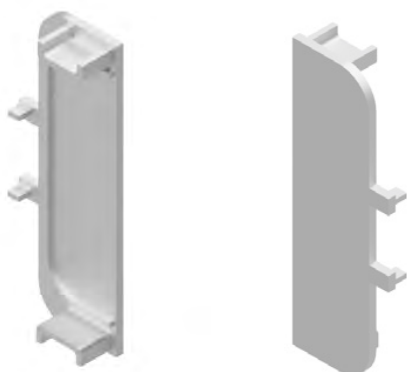
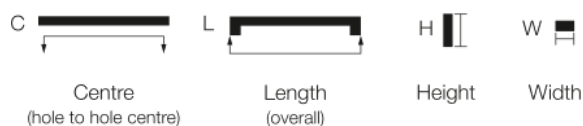


Technical Data Sheet

Tekform Handles by Titus



DIMENSIONS & TECHNICAL DRAWINGS



HANDLE FINISHES

Note: Finish colours are indicative only. Actual handle finish colour may vary.

FS		Foggy Silver
CH		Chrome
MB		Matt Black
MW		Matt White
TG		Titanium Grey
G		Gold

Profile Handle

DETAILS & ORDERING INFORMATION

Series: CAPRI-C End Caps
Material: Aluminium
Finish: Various - see table

INSTALLATION

Use HandleFast Trusshead located on page 4.11 of the 2nd Edition Technical Catalogue.

See reverse for additional ordering information & contact details.

Item Number	Handling	Finish
608.8U17.073.001	Universal	FS
608.8U17.073.007	Universal	C
608.8U17.073.010	Universal	MB
608.8U17.073.011	Universal	MW
608.8U17.073.013	Universal	TG
608.8U17.073.015	Universal	G

Contact Details

Australia

1300-0-TITUS

TITUS GROUP

TITUS TEKFORM PTY LTD

EMAIL

info@titustekform.com.au

WEB

www.titustekform.com.au