

# Tekform Lifters Installation

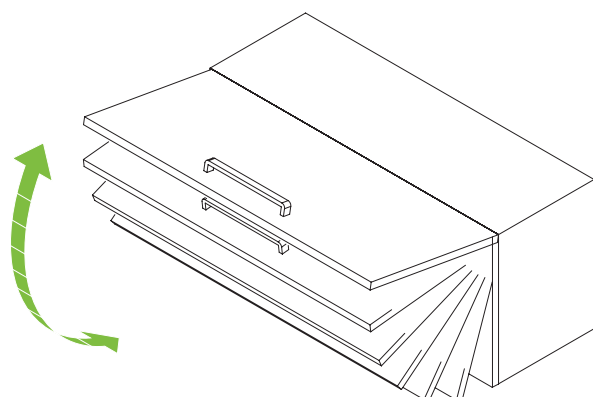
# Overhead Solutions

## AeroBus Opening System

- Easy assembly with click-on door fixing
- No hinges or stabilisation bars required
- SlowMotion technology for controlled and silent closing
- Non-invasive slim housing



AeroBus Kit for doors



Made of plastic and steel

Weight (kg)	Item number
1.0 - 5.5	606.8L03.020.000
2.4 - 12.3	606.8L03.040.000

**Kit includes:**

- Symmetrical and dampened mechanisms (2 Pcs)
- Linear mounting plates for the door fixing (2 Pcs)
- Ø4 x 15mm screws (6 Pcs)
- Ø4 x 35mm screws (8 Pcs)
- Covers: right and left (2 Pcs)

## Choosing the Correct AeroBus System

- Door height max is 400mm
- Door width max depends on the kit's load capacity
- Choose from 2 kits depending on height and weight requirements

Door Height	606.8L03.020.000	606.8L03.040.000
400	1.0 - 2.5kg	2.4 - 5.5kg
350	1.1 - 2.9kg	2.7 - 6.3kg
300	1.3 - 3.5kg	3.2 - 7.4kg
250	1.6 - 4.0kg	3.8 - 8.9kg
200	2.0 - 5.0kg	4.8 - 11.0kg
180	2.2 - 5.5kg	5.3 - 12.3kg

Download supporting documentation from the Titus Tekform website [titustekform.com.au](http://titustekform.com.au)

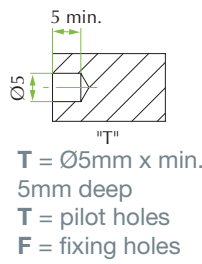
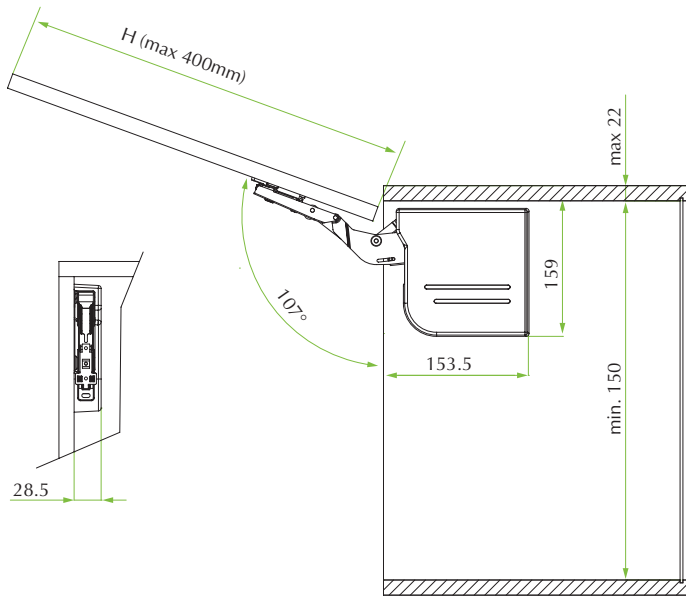
# Overhead Solutions

## AeroBus Opening System

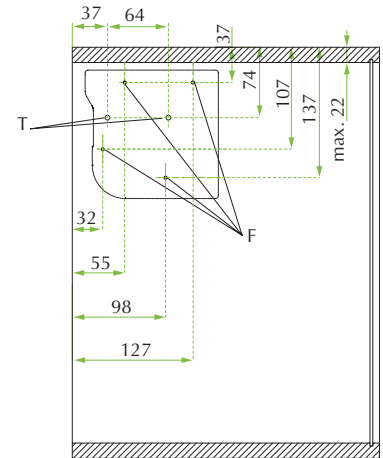


- Compact and non-invasive system
- Easy mounting on the cabinet and rapid fixing on the door with a “click” and without hinges
- Damper included for a controlled and silent closure of the door
- 3-Way vertical and horizontal adjustment with door weight adjustment

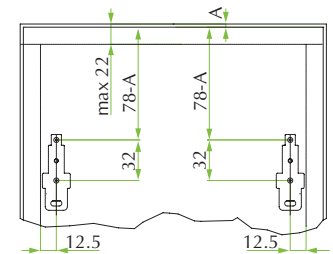
### Application



#### Cabinet fixing

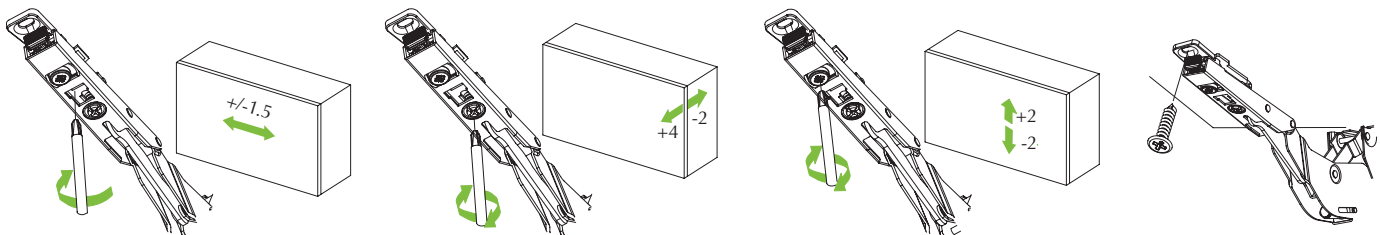


#### Door fixing

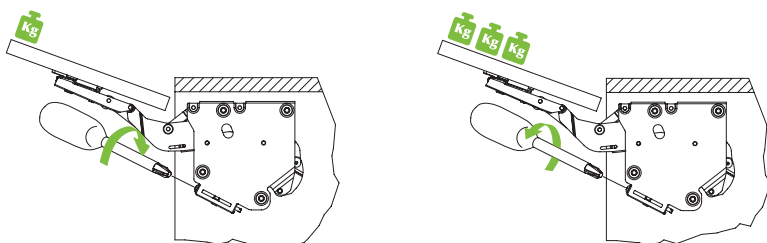


### Adjustments

#### Door adjustment



#### Damper strength adjustment



# Overhead Solutions

## AeroFlap Opening System

- Door moves above cabinet opening
- Perfect pause in every opening position
- 30 adjustments for door positioning
- SlowMotion technology for controlled and silent closing



Door Height (mm)	Door Weight (kg)	Item number
450	4.8-5.7	606.8L09.010.660
600	4.4-5.2	
660	4.0-4.7	
450	5.8-7.3	606.8L09.020.660
600	5.3-6.7	
660	4.8-6.2	
450	7.4-9.2	606.8L09.030.660
600	6.8-8.4	
660	6.3-7.9	
450	9.3-10.8	606.8L09.040.660
600	8.5-9.9	
660	8.0-9.3	
450	10.9-14.5	606.8L09.050.660
600	10.0-13.0	
660	9.4-11.8	
720	7.9-9.3	606.8L09.130.800
800	7.7-8.9	
720	9.5-12.0	606.8L09.140.800
800	9.0-11.4	
Stabilisation bar, 1200mm → Order separately 606.8L09.150.020		
<b>Kit includes:</b> 2 mechanisms, RH & LH 2 dampers for mechanisms 2 covers, RH & LH 14 Euro screws, Ø6x12mm 12 Self-tapping screws Ø4x35mm Assembly instructions		

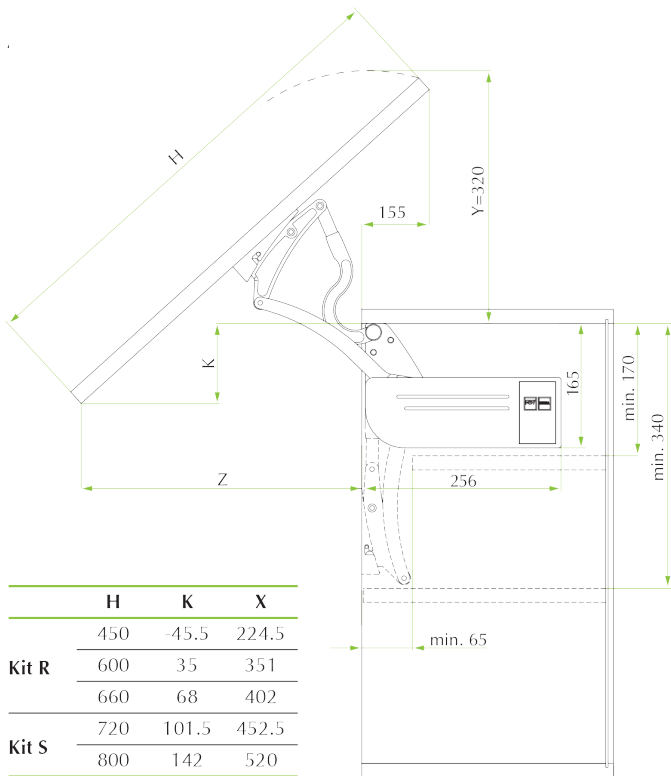
 1 Pcs

Download supporting documentation from the Titus Tekform website [titustekform.com.au](http://titustekform.com.au)

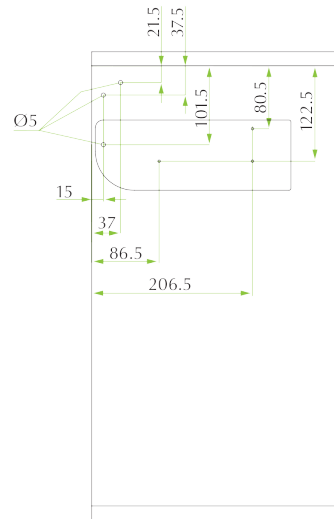
# Overhead Solutions

## AeroFlap Opening System

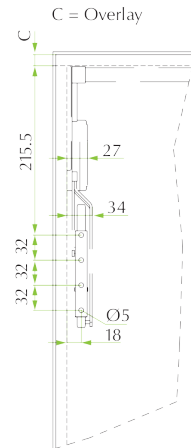
### Application



#### Cabinet Fixing

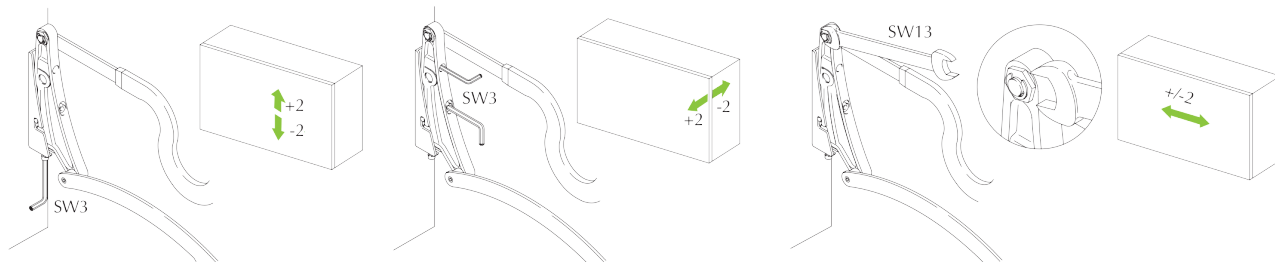


#### Door Fixing

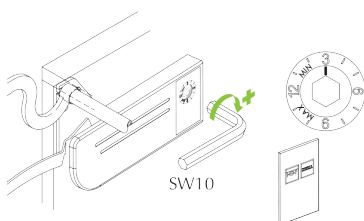


### Adjustments

#### Door Adjustment



#### Weight Adjustment

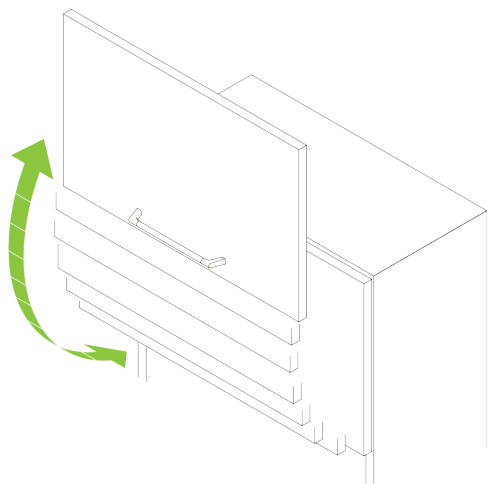


Download supporting documentation from the Titus Tekform website [titustekform.com.au](http://titustekform.com.au)

# Overhead Solutions

## AeroLoft Opening System

- Compact & non-invasive
- Easy mounting on the cabinet and rapid fixing on the door with a 'click' and without hinges
- Damper included for a controlled and silent closing to the door
- 3-Way vertical and horizontal adjustment with door weight adjustment



Door Height (mm)	Door Weight (kg)	Item number
380-500	4.8-3.6	<b>606.8L09.210.500</b>
450-580	6.0-7.6	<b>606.8L09.310.058</b>
450-580	7.7-9.2	<b>606.8L09.320.058</b>

**Kit includes:**

- 2 mechanisms, RH & LH
- 2 dampers for mechanisms
- 2 covers, RH & LH
- 14 Euro screws, Ø6x12mm
- 12 Self-tapping screws Ø4x35mm
- Assembly instructions

Stabilisation bar, 1200mm  
 → Order separately 606.8L09.150.020

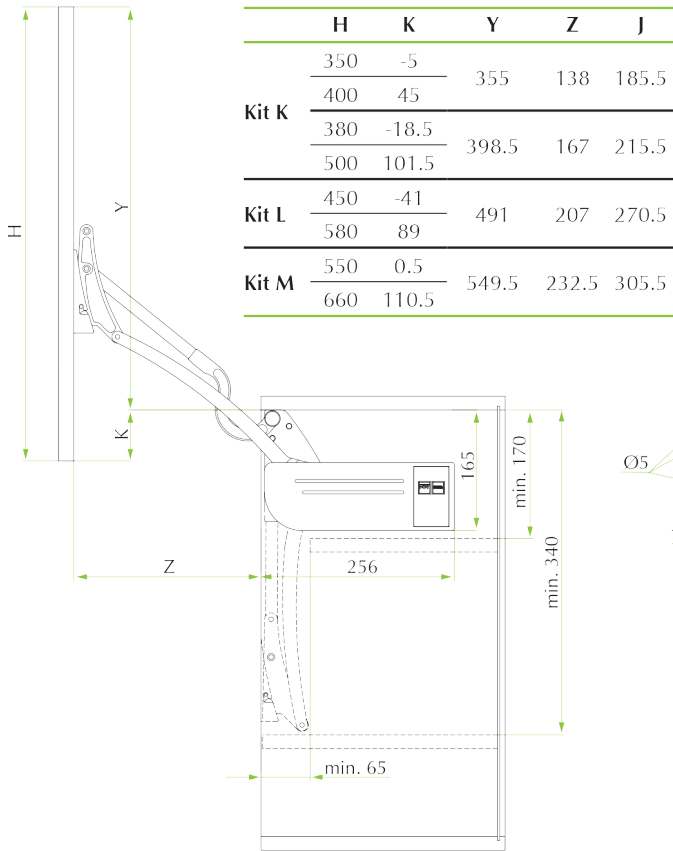
 1 Pcs

Download supporting documentation from the Titus Tekform website [titustekform.com.au](http://titustekform.com.au)

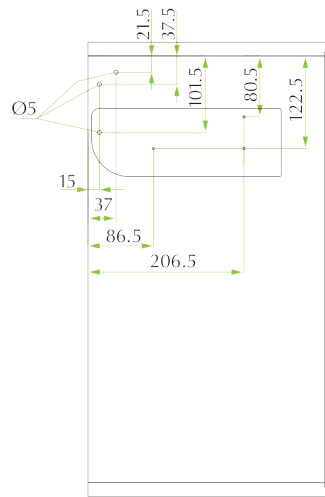
# Overhead Solutions

## AeroLoft Opening System

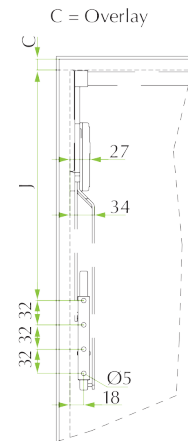
### Application



Cabinet Fixing

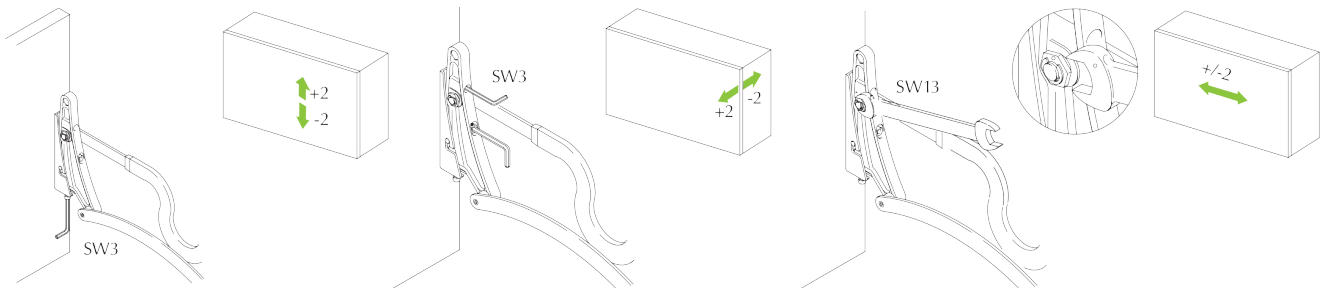


Door Fixing

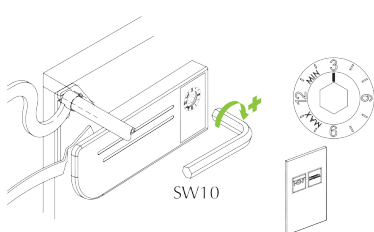


### Adjustments

#### Door Adjustment



#### Weight Adjustment

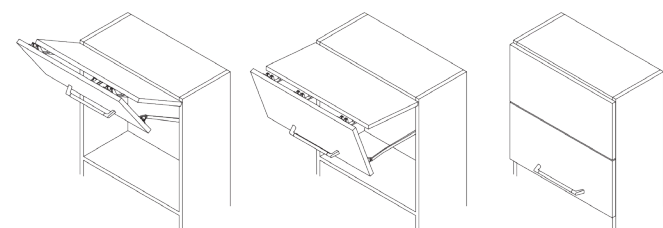


Download supporting documentation from the Titus Tekform website [titustekform.com.au](http://titustekform.com.au)

# Overhead Solutions

## AeroSplit Opening System

- Door bi-folds up
- 125° folding door opening operation, ensuring the second half of the door folds extremely flat
- Anti-pinch central hinge for safe functioning
- No stabilisation bar required
- Perfect pause in every position
- SlowMotion technology for controlled and silent closing



Door Height (mm)	Door Weight (kg)	Item number
600	6.8-8.1	<b>606.8L09.510.060</b>
600	8.2-10.0	<b>606.8L09.520.060</b>
720	6.6-8.7	<b>606.8L09.610.072</b>
720	8.8-11.0	<b>606.8L09.620.072</b>
720	11.1-13.3	<b>606.8L09.630.072</b>
800	10.1-12.5	<b>606.8L09.730.080</b>
800	12.6-13.5	<b>606.8L09.740.080</b>

**Kit includes:**  
 2 mechanisms, RH & LH  
 2 dampers for mechanisms  
 2 covers, RH & LH  
 2 central hinges  
 14 Euro screws, Ø6x12mm  
 12 Self-tapping screws Ø4x35mm  
 Assembly instructions

Note: Hinge 110° not included

 1 Pcs

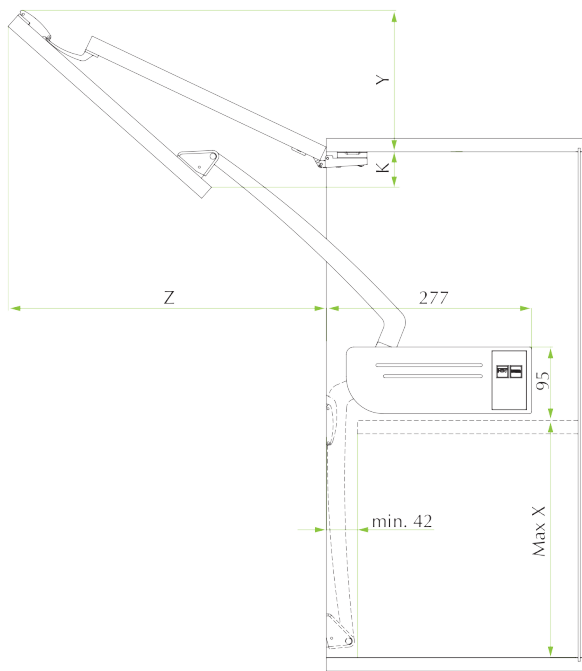
Download supporting documentation from the Titus Tekform website [titustekform.com.au](http://titustekform.com.au)



# Overhead Solutions

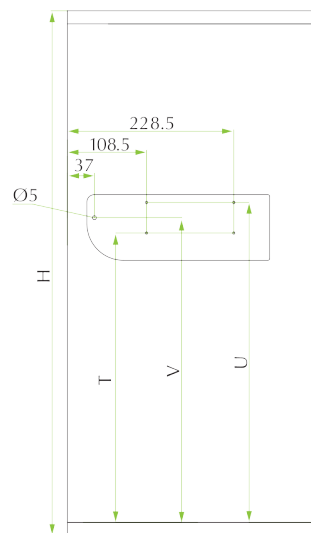
## AeroSplit Opening System

### Application

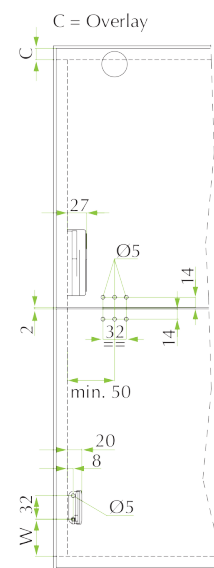


	H	K	Y	Z	T	V	U	X	W
Kit A	600	75	161	383	314	335	356	270	21
Kit B	720	91	181	450	367	388	409	323	21
Kit C	800	119	210.5	468	398	419	440	354	21

### Cabinet Fixing

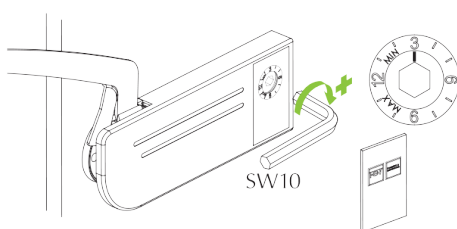


### Door Fixing



### Adjustments

#### Door Adjustment



# Overhead Solutions

## AeroPlus Opening System

- Upwards operation
- Symmetrical mechanism for smart assembly
- Adjustable for doors up to 20kg
- Perfect stay in all positions
- 32mm standard cabinet drilling
- Combine with soft close hinges for smooth operation



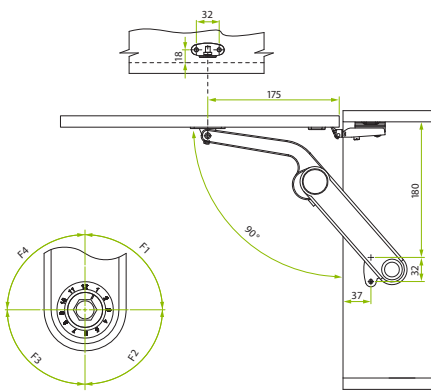
Item number

**606.8L09.900.110**

**Kit includes:**

- 1 AeroPlus joint
- 1 Cover cap
- 1 Bracket for cabinet
- 1 Bracket for wooden door
- Assembly instructions

*Note: 110° Hinge not included*



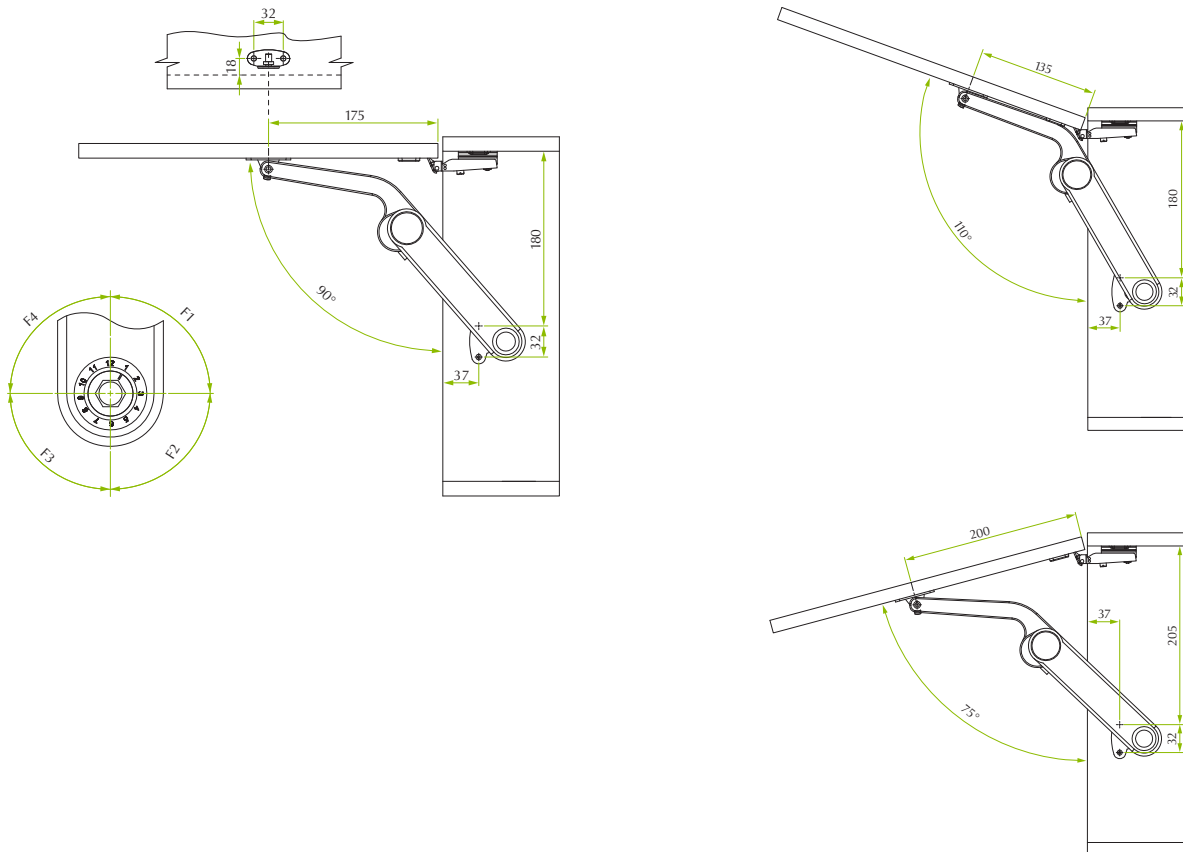
 15 Kits

Download supporting documentation from the Titus Tekform website [titustekform.com.au](http://titustekform.com.au)

# Overhead Solutions

## AeroPlus Opening System

### Application




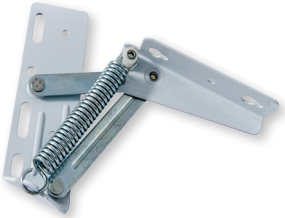



### Adjustments

#### Door Adjustment (kgs)

Door Height	F1 1-2-3	F2 4-5-6	F3 7-8-9	F4 10-11-12
300	3 - 5	5 - 10	9 - 15,5	11 - 20
400	2 - 4	3,5 - 7,5	6,5 - 11,5	8,5 - 15
500	1,5 - 3	3 - 6	5,5 - 9,5	7 - 12
600	1,5 - 2,5	2,5 - 5	4,5 - 7,5	6 - 10

# Overhead Solutions

## Lift Up Mechanisms

	Dimensions (mm)	Item number	Silver	White	Chrome
<b>Gas Strut</b>   1 Pce	Minimum internal cabinet height 264mm	<b>606.8L03.300</b> →	287		
	<ul style="list-style-type: none"> <li>Gas Strut suitable for weights up to 12kg</li> </ul>				
<b>Lift Up Stay</b>   1 Pair		<b>606.8L03.287</b> →		000	
	<ul style="list-style-type: none"> <li>Lift Up Overhead Stay with easy operation and variable opening angle of 75°. No concealed hinges required on top panel. Spring strength of 180N</li> </ul>				
<b>Flap Stay with Catch</b>   1 Pce	225	<b>605.8A20.225</b> →		001	
<b>Klok XL Flap Stay</b>   1 Set	Minimum door height 300mm Maximum door height 700mm Maximum door opening angle 105°	<b>606.8L03.001</b> →		000	
	<ul style="list-style-type: none"> <li>Klok XL Flap Stay complete with carcass bracket and door bracket for wood</li> </ul> <p><i>Details on how many flap stays are required depending on door height, weight and desired opening angle → see page 3.6</i></p>				

Download supporting documentation from the Titus Tekform website [titustekform.com.au](http://titustekform.com.au)

# Overhead Solutions

## Klok XL Flap Stay

### Choosing the Correct Quantity of Klok XL Flap Stays

To keep the door opening in any position, the number of Klok XL flap stays to use must be calculated according to the door weight, the door height and the maximum opening angle desired.

Door weight and maximum opening angle		Door height (mm)								
		300	350	400	450	500	550	600	650	700
2kg	75°	1	1	1	1	1	1	1	1	1
	90°	1	1	1	1	1	1	1	2	2
	105°	1	1	1	1	1	2	2	2	2
3kg	75°	1	1	1	1	1	1	1	1	1
	90°	1	1	1	1	1	1	1	2	2
	105°	1	1	1	1	1	2	2	2	2
4kg	75°	1	1	1	1	1	1	1	1	1
	90°	1	1	1	1	1	1	1	2	2
	105°	1	1	1	1	1	2	2	2	2
5kg	75°	1	1	1	1	1	1	1	1	1
	90°	1	1	1	1	1	1	1	2	2
	105°	1	1	1	1	2	2	2	2	2
6kg	75°	1	1	1	1	1	1	1	1	1
	90°	1	1	1	1	1	2	2	2	2
	105°	1	1	1	2	2	2	2	2	2
7kg	75°	1	1	1	1	1	1	1	2	2
	90°	1	1	1	2	2	2	2	2	2
	105°	1	2	2	2	2	2	2	2	/
8kg	75°	1	1	1	1	1	2	2	2	2
	90°	1	1	2	2	2	2	2	2	2
	105°	1	2	2	2	2	2	2	/	/
9kg	75°	1	1	1	1	2	2	2	2	2
	90°	1	2	2	2	2	2	2	2	/
	105°	2	2	2	2	2	/	/	/	/
10kg	75°	1	1	1	2	2	2	2	2	2
	90°	1	2	2	2	2	2	2	/	/
	105°	2	2	2	2	/	/	/	/	/
11kg	75°	1	1	2	2	2	2	2	2	2
	90°	2	2	2	2	2	/	/	/	/
	105°	2	2	2	/	/	/	/	/	/
12kg	75°	1	1	2	2	2	2	2	2	2
	90°	2	2	2	2	2	/	/	/	/
	105°	2	2	2	/	/	/	/	/	/

For additional technical information, please download the technical datasheet at [titustekform.com.au](http://titustekform.com.au)