

NEW

Titus New Generation Hinge



T-type Glissando

- 'ConfidentClose'
- '3Way' snap-on
- Low hinge cup depth
- Highly tolerant

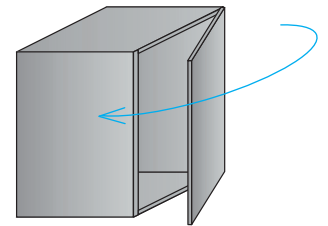
T-type Glissando

Titus New Generation Hinge

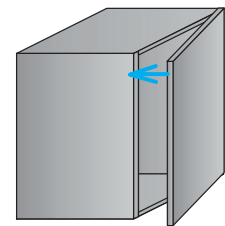
'ConfidentClose'

Fast closing

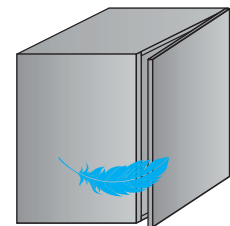
*The hinge is designed to provide consumer preferred way of soft closing action



Late start of deceleration action



Quiet landing with 'SoftTouch'



'Titus Damper Inside'

- Titus proprietary multi-purpose damping technology
- Reliable and consistent life-long damping
- No rebound



Proven Glissando concept of soft closing in the hinge cup

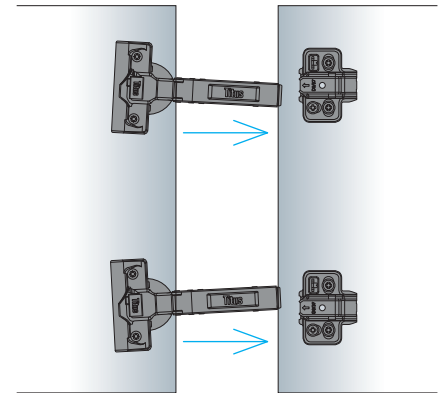
- Damper is positioned transversal on the hinge cup
- Reliable performance



Highly tolerant

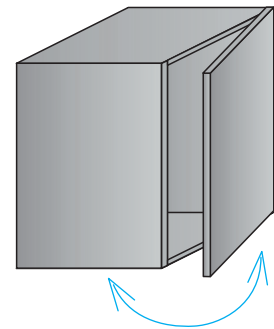
Efficient performance in marginal values of tolerances

- Reliable door closing in case of accidental misalignment
- 'ConfidentClose' assured



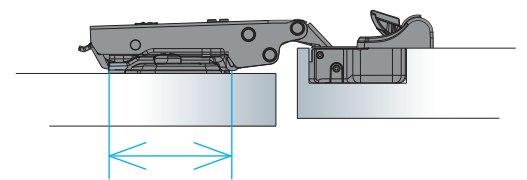
Reliability

- Consistent performance on door of different sizes and weights
- Life-time service



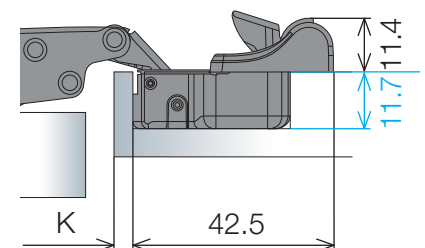
Rigidity

- Hinge-to-plate attachment assures stability and rigidity
- Smooth performance



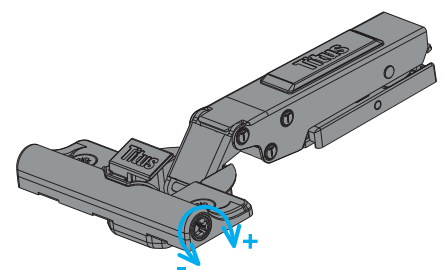
Low hinge cup drilling depth

Enables application on door thicknesses from 15mm on



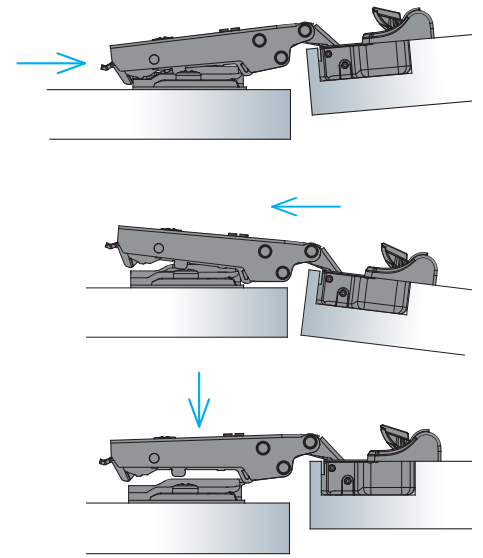
Adjustable damping

- Consistent performance on doors of different dimensions and weights
- Intuitive adjustment procedure



'3Way' snap-on

- Allows for intuitive hinge-to-plate mounting in three directions
- Enhanced mounting experience



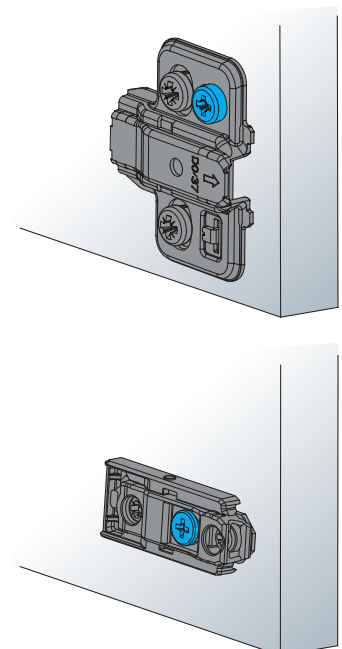
Easy door installation even in cases of 4-5 hinges per door



Cam adjustable mounting plates

Linear and cross mounting plates

- Easily accessible height adjustment with cam
- Consumer friendly hinge-to-plate attachment
- Improved hinge alignment and performance



Sleek design

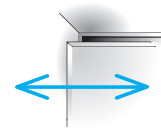
- 3rd Generation Glissando style
- Form follows function



Precise door alignment

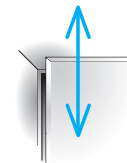
Side adjustment

+3/-1mm



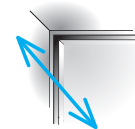
Height adjustment

+2/-2mm



Depth adjustment

+4/-1mm



Technical details

T-type Glissando

Opening angle	110°, 120°, 170°
Hinge cup drilling depth	11.7mm
Hinge cup drilling pattern	45/9.5mm, 48/6mm
Hinge constant	13mm
Door Tab K	3-6mm
Maximum overlay	20mm
Hinge arms	full overlay, half overlay, inset All corner applications
Fixing	screw-on ready, euro screws, wood screws, dowels for machine insertion, expando dowels, 'EasyFix'

'3Way' mounting plate

Type	cross, linear
Height	0-1-2-3-4mm
Fixing	screw-on ready, euro screws, wood screws, dowels for machine insertion, expando dowels



Europe

TitusPlus d.o.o.

Dekani 5
SI-6271 Dekani
Slovenia
+386 566 90 213
+386 566 90 205 Fax
info@titusplus.com

Titus d.o.o. Dekani

Dekani 5
SI-6271 Dekani
Slovenia
+386 566 90 213
+386 566 90 205 Fax
info@titusplus.com

Titus Technologies

Lama Avtomatizacija d.o.o.
Dekani 5
SI-6271 Dekani
Slovenia
+386 566 90 432
+386 566 90 431 Fax
titustechnologies@titusplus.com

Titus Tool Company Ltd.

10 Blackburn Industrial Estate
Enterprise Way
Sherburn in Elmet
LS256NA
United Kingdom
+44 1977682 582
+44 1977680 481 Fax
uk@titusplus.com

CRO-Lama

Rakitska 10a
Rakitje
HR-10437 Bestovje
Croatia
+385 1 3323 033
+385 1 3323 233 Fax
croatia@titusplus.com

Titus Polska Sp. z .o.

ul. Stefańskiego 17 A
PL-62-002 Suchy Las/Poznań
Poland
+4861 811 5402 Phone/Fax

+4861 811 5684 Phone/Fax
+4861 821 9362
poland@titusplus.com

TitusPlus Italia Srl

Via Aquileia 9
Frazione Olmi
31048 San Biagio di Callalta (TV)
+39 04 221 650 120
+39 04 221 650 136 Fax
italia@titusplus.com

TitusPlus Iberia SLU

C/ Gran Bretanya 34
08520 Les Franqueses del Valles
(Barcelona)
+34 938 715 404
+34 938 605 498 Fax
iberia@titusplus.com
www.titusplusiberia.com

America

Titus Tool Co. Inc.

800 5th Avenue
Suite 4100
Seattle, WA 98104, USA
800 762 1616 toll free
+1 253 872 2829
+1 253 872 2827 Fax
usa@titusplus.com

Titus Tool Co. Inc.

220 Messner Drive
US-60090 Wheeling, USA
800 762 1616 toll free
+1 253 872 2829
+1 253 872 2827 Fax
usa@titusplus.com

Australia

Titus Tekform Pty Ltd

Unit 1, 41-43 Whyalla Place
Prestons NSW 2170
Australia
+61 2 9286 0007
+61 2 9826 0074 Fax
www.titustekform.com.au
info@titustekform.com.au

NZ Hardware Enterprises Ltd

34 Waipareira Avenue
Henderson
Auckland, New Zealand
+64 9 837 0886
+64 9 837 8003Fax

Asia

Titus Tool Co. Pte. Ltd.

5004 Ang Mo Kio Ave 5
Techplace II #04-01
Singapore 569872
+656383 3922
+656383 3178 Fax
singapore@titusplus.com

Titus Furniture Fitting Trading Shenzhen Ltd

80B ShenFu Bao
Building 128
Ronghua Road
Futian Free Trade Zone
Shenzen
China
Pc 551238
+867 558 348 0916
+867 558 359 2676 Fax
china@titusplus.com

PT Titus Tekform Indonesia

Taman Tekno block L2 No. 6-7
BSD Sector XI - Tangerang Selatan 15314
Indonesia
+ 62 21 75873578
+ 62 21 75873574 Fax
indonesia@titusplus.com

Headquarters

Titus International Ltd
325 Euston Road
London
NW1 3AD, United Kingdom
info@titusplus.com

www.titusplus.com
info@titusplus.com

Titus

info@titusplus.com | www.titusplus.com | www.titustekform.com.au