

Technical Data Sheet

90cm Curved Touch Canopy Rangehood

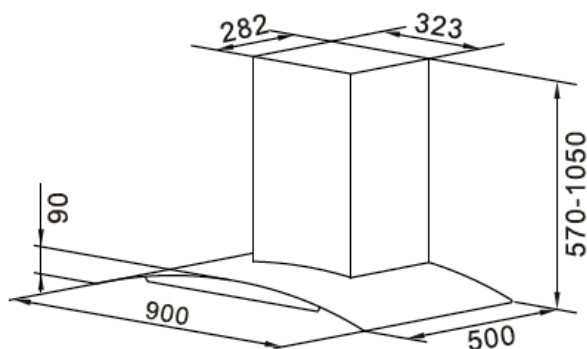
604.8A44.020.007 RH92GB

Titus
Tekform



IN ALT 9

DIMENSIONS & TECHNICAL DRAWINGS



FEATURES

- 3 speed settings
- 2 LED lights
- 2 stainless steel baffle grease filters
- Black glass fascia with touch activated controls
- Stainless steel body

Details & Ordering Information

PERFORMANCE FEATURES

750 m³/hr extraction
Motor type: centrifugal
Decibel rating (dBA) max: 65 dBA

CLEANING

Dishwasher safe stainless steel baffle grease filters

ACCESSORIES

Expandable 150mm ducting adapter
Fasteners & wall plugs
2 piece stainless steel flue (upper & lower pieces)
Wall brackets

OPTIONAL ACCESSORIES

Carbon filter
Flue extension piece

PRODUCT DIMENSIONS

Packaged (W D H mm): 955 x 435 x 555mm
Physical (W D H mm): 900 x 500 x 570-1050mm
Weight: 19kg

REQUIREMENTS

Rated voltage: 220-240V, 50/60 Hz
Supplied with 10 amp plug

WARRANTY

24 months