

# Technical Data Sheet

## 60cm Integrated Dishwasher

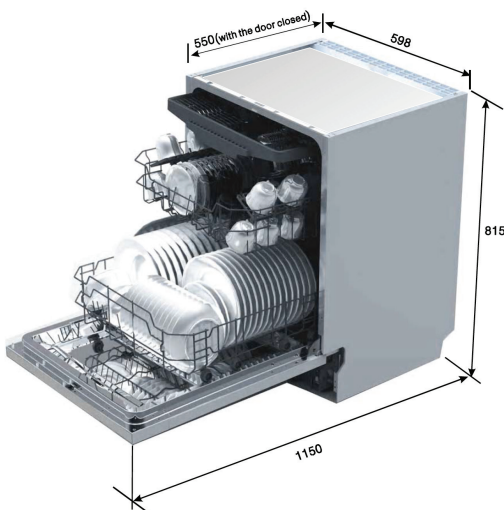
604.8A45.032.001 DWI6CS

Titus  
Tekform



INALTO

### DIMENSIONS & TECHNICAL DRAWINGS



### FEATURES

- 14 place settings
- Fully integrated installation
- Third cutlery drawer
- Concealed heating element
- Delay start
- LED display with push button controls on upper door panel
- Height adjustable upper basket
- Collapsible plate racks
- Stainless steel micro filter

## Details & Ordering Information

### WASH PROGRAMS

6 wash programs:

Normal  
Intensive  
Rapid  
1 hour express  
Heavy  
Glass

### SAFETY

Anti-leak device  
Anti-flood device  
Aqua stop safety device

### ENERGY EFFICIENCY

Energy rating (MEPS): 3 stars  
Water rating (WELS): 4 stars

### CLEANING

Easy to clean slimline control panel

### PRODUCT DIMENSIONS

Packaged (W D H mm): 630 x 635 x 872mm  
Physical (W D H mm): 598 x 550 x 815-865mm  
Door open: 1175mm  
Weight: 46kg

### REQUIREMENTS

Rated voltage: 220-240V, 50/60 Hz  
Supplied with 10 amp plug

### WARRANTY

24 months