

Technical Data Sheet

60cm Gas Cooktop

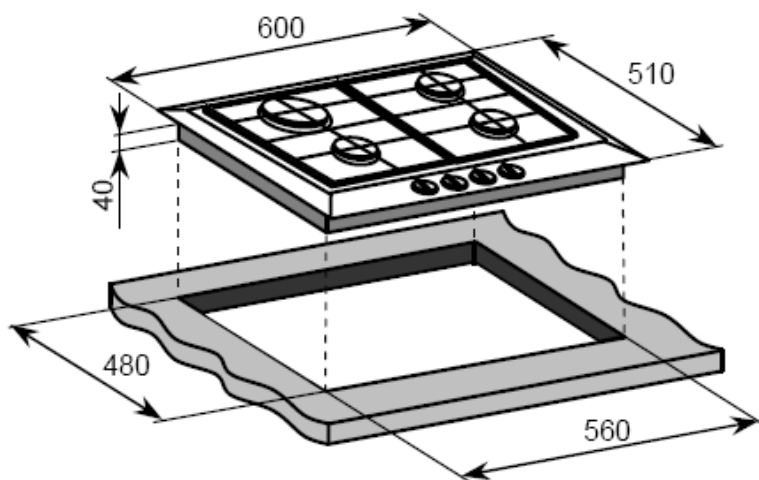
604.8A43.014.001 ICG6

Titus
Tekform



INALTY

DIMENSIONS & TECHNICAL DRAWINGS



FEATURES

- 4 burners
- Italian made Defendi burners
- 304 grade stainless steel
- Electric under-knob ignition
- Enamel trivets
- Metal control knobs

Details & Ordering Information

BURNER OUTPUTS

Rapid burner: 1 x 5.4-10.8 MJ/hr
Semi-rapid burner: 2 x 3.24-6.5 MJ/hr
Auxiliary burner: 1 x 1.8-3.8 MJ/hr

SAFETY

Sturdy enamel trivets

ACCESSORIES

Regulator
LPG conversion kit
LPG test point
Sealing strip

CLEANING

Single press steel knob
Heavy duty 304 grade stainless steel
Removable control knobs

PRODUCT DIMENSIONS

Packaged (W D H mm): 645 x 543 x 136mm
Physical (W D H mm): 600 x 510 x 40mm
Weight: 12kg

REQUIREMENTS

Rated power: 220-240V, 50/60 Hz
Supplied with 10 amp plug
Current requirements: 3A

WARRANTY

24 months