

Technical Data Sheet

60cm Freestanding Dishwasher

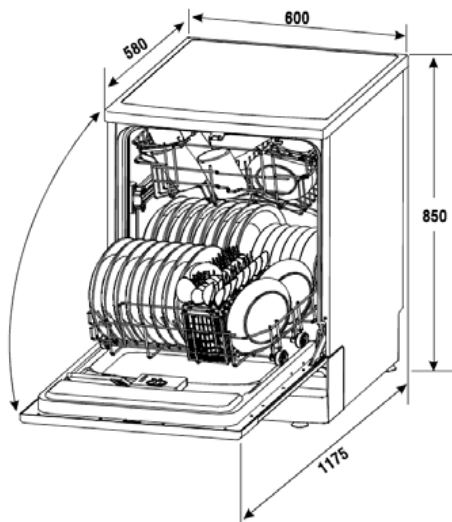
604.8A45.030.001 IDW6S

Titus
Tekform



INALTO

DIMENSIONS & TECHNICAL DRAWINGS



FEATURES

- 12 place setting capacity
- Stainless steel finish
- Removable cutlery basket
- Concealed heating element
- Delay start
- LED display with push button controls
- Height adjustable upper baskets
- Collapsible plate racks
- Stainless steel micro filter

Details & Ordering Information

WASH PROGRAMS

5 wash programs:

Normal
Intensive
Rapid
Soak
Heavy

SAFETY

Anti-leak device
Anti-flood device

ENERGY EFFICIENCY

Energy rating (MEPS): 3 stars
Water rating (WELS): 4 stars

CLEANING

Mark-free stainless steel
Flush, slimline control panel
Easy to remove filter system

PRODUCT DIMENSIONS

Packaged (W D H mm): 635 x 620 x 885mm
Physical (W D H mm): 600 x 580 x 850mm
Weight: 43.3kg

REQUIREMENTS

Rated voltage: 220-240V, 50Hz
Power rating: 3400 (240V)-2800W(220V)

WARRANTY

24 months