

Technical Data Sheet

45cm Freestanding Dishwasher

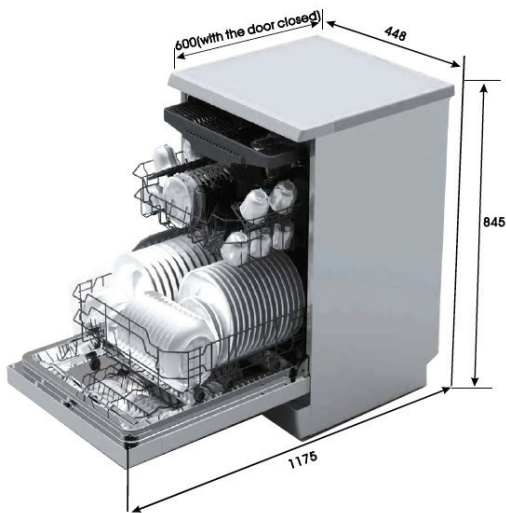
604.8A45.030.002 DW4CS

Titus
Tekform



INALTO?

DIMENSIONS & TECHNICAL DRAWINGS



FEATURES

- 10 place setting capacity
- Stainless steel finish
- Third cutlery drawer
- Concealed heating element
- Delay start
- LED display with push button controls
- Height adjustable upper basket
- Collapsible plate racks
- Stainless steel micro filter

Details & Ordering Information

WASH PROGRAMS

6 wash programs:

Normal
Intensive
Rapid
1 hour express
Heavy
Glass

SAFETY

Anti-leak device
Anti-flood device

ENERGY EFFICIENCY

Energy rating (MEPS): 3 stars
Water rating (WELS): 3 stars

CLEANING

Mark-free stainless steel

PRODUCT DIMENSIONS

Packaged (W D H mm): 495 x 645 x 871mm
Physical (W D H mm): 448 x 600 x 845mm
Door open: 1175mm
Weight: 45.5kg

REQUIREMENTS

Rated voltage: 220-240V, 50/60 Hz
Supplied with 10 amp plug

WARRANTY

24 months