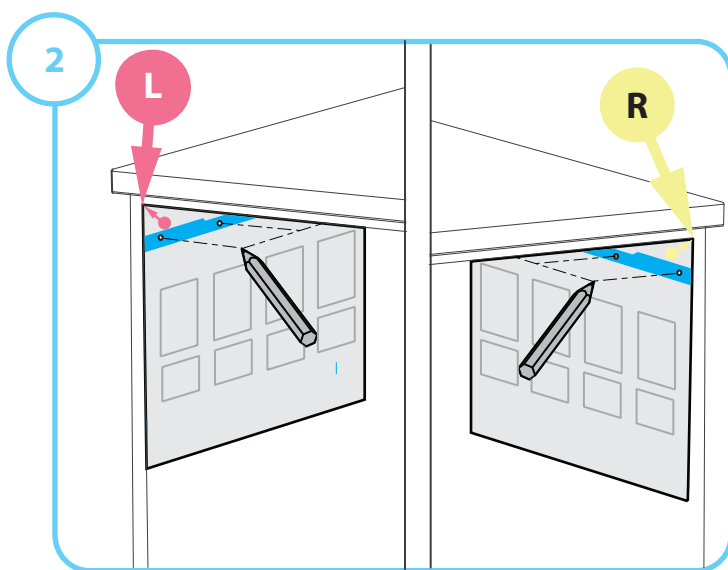
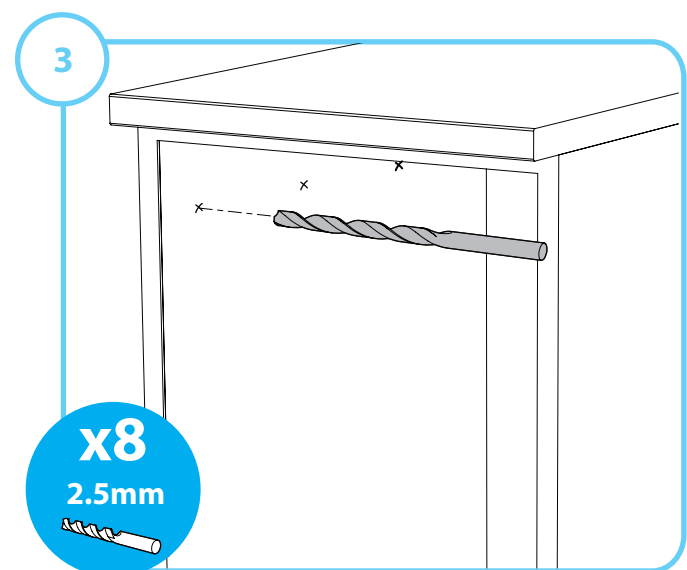


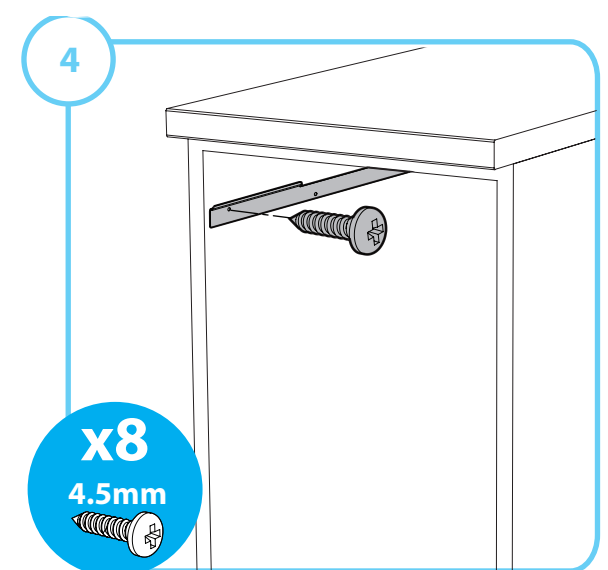
Supplied components



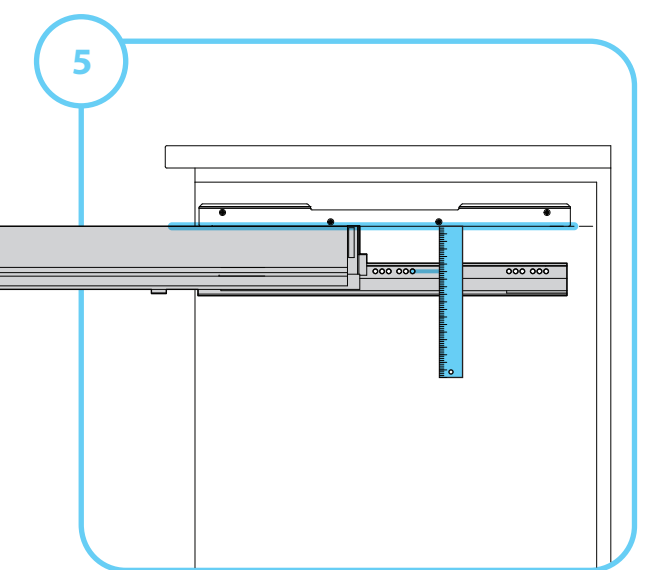
Use above template to mark holes



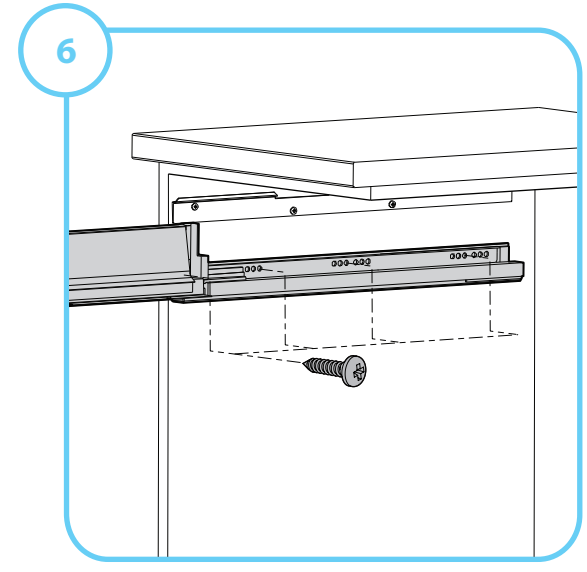
Drill marked holes



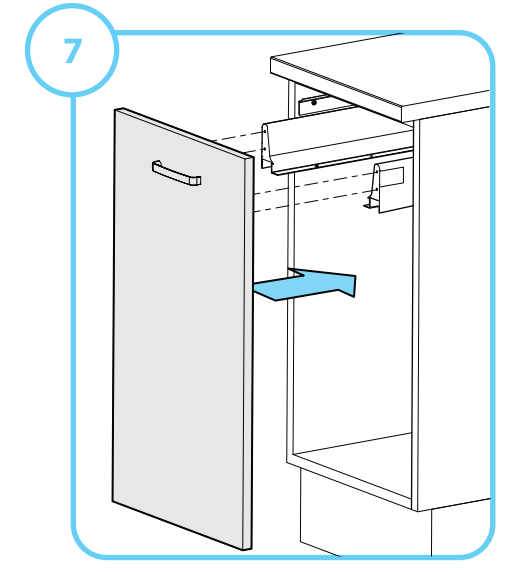
Attach both brackets



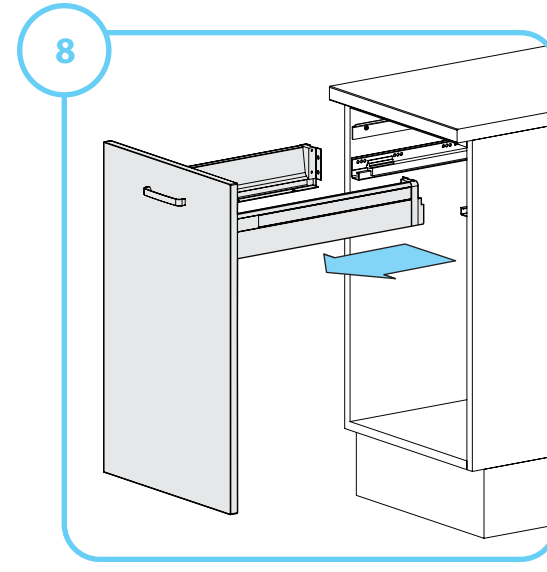
Align bottom of bracket with top of runner to measure location of mounting holes



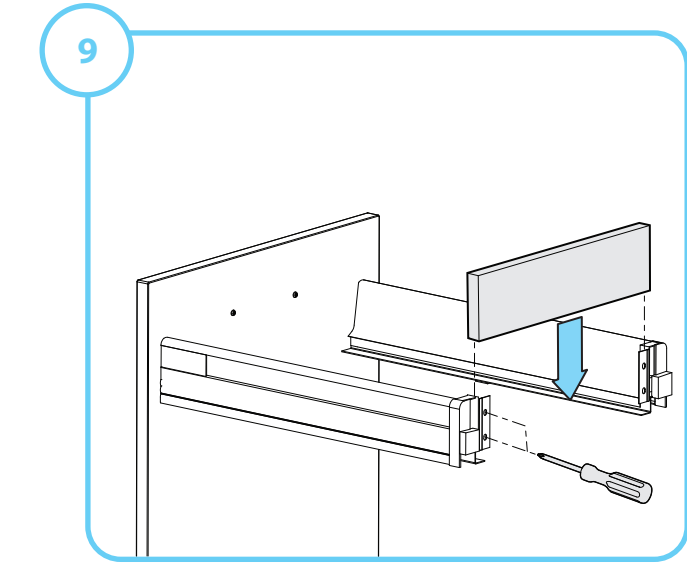
Mount runner as per manufacturers instructions



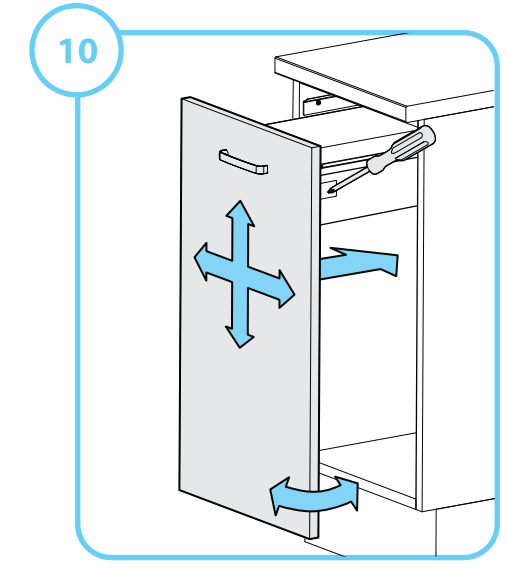
Mount door to runners



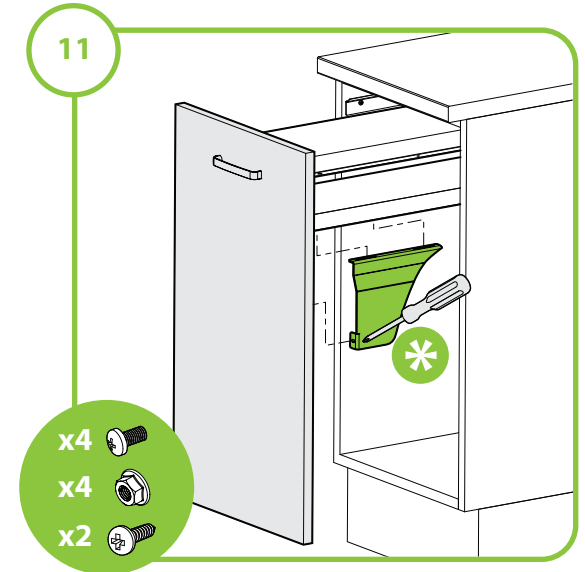
Remove drawer assembly



Install drawer back



Re-install drawer assembly and adjust door



Attach door brackets if supplied

