

Technical Data Sheet

Tekform Overhead Solutions from Titus



Klock XL Flap stay

DETAILS & ORDERING INFORMATION

Material: Chrome

Order Number: FLP1GC001XL

- Friction stay works when tightening the joint of the stay
- Enables the door to be lifted open to a range of heights that suits the user.

Min. Door Height	300mm
Max Door Height	700mm
Max. Opening Angle	105°

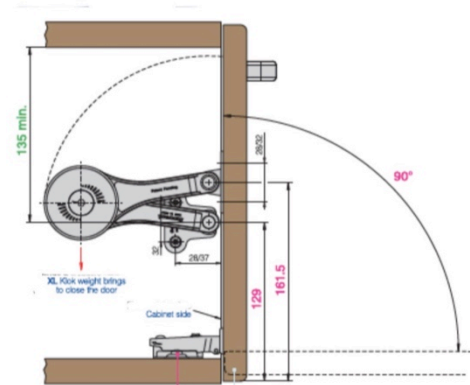
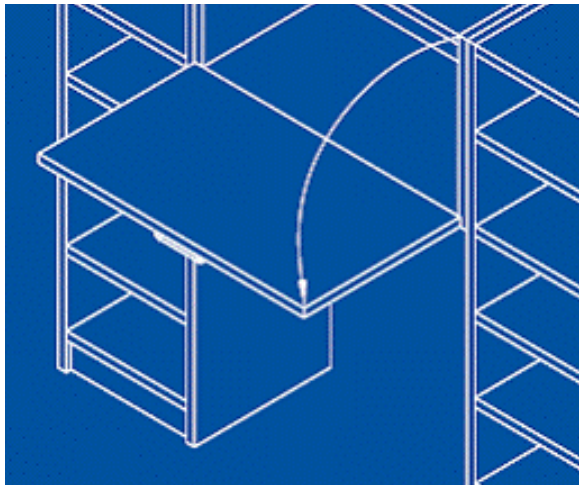
Choosing the correct quantity of Klok XL Flap Stays

To keep the door opening in any position, the number of Klok XL flap stays to use must be calculated according to the door weight, the door height and the maximum opening angle desired.

Door weight and maximum opening angle		Door height (mm)								
		300	350	400	450	500	550	600	650	700
2kg	75°	1	1	1	1	1	1	1	1	1
	90°	1	1	1	1	1	1	1	2	2
	105°	1	1	1	1	1	2	2	2	2
3kg	75°	1	1	1	1	1	1	1	1	1
	90°	1	1	1	1	1	1	1	2	2
	105°	1	1	1	1	1	2	2	2	2
4kg	75°	1	1	1	1	1	1	1	1	1
	90°	1	1	1	1	1	1	1	2	2
	105°	1	1	1	1	1	2	2	2	2
5kg	75°	1	1	1	1	1	1	1	1	1
	90°	1	1	1	1	1	1	1	2	2
	105°	1	1	1	1	2	2	2	2	2
6kg	75°	1	1	1	1	1	1	1	1	1
	90°	1	1	1	1	1	2	2	2	2
	105°	1	1	1	2	2	2	2	2	2
7kg	75°	1	1	1	1	1	1	1	2	2
	90°	1	1	1	2	2	2	2	2	2
	105°	1	2	2	2	2	2	2	2	/
8kg	75°	1	1	1	1	1	2	2	2	2
	90°	1	1	2	2	2	2	2	2	2
	105°	1	2	2	2	2	2	2	/	/
9kg	75°	1	1	1	1	2	2	2	2	2
	90°	1	2	2	2	2	2	2	2	/
	105°	2	2	2	2	2	/	/	/	/
10kg	75°	1	1	1	2	2	2	2	2	2
	90°	1	2	2	2	2	2	2	/	/
	105°	2	2	2	2	/	/	/	/	/
11kg	75°	1	1	2	2	2	2	2	2	2
	90°	2	2	2	2	/	/	/	/	/
	105°	2	2	2	/	/	/	/	/	/
12kg	75°	1	1	2	2	2	2	2	2	2
	90°	2	2	2	2	2	2	/	/	/
	105°	2	2	2	/	/	/	/	/	/

ADDITIONAL INFORMATION

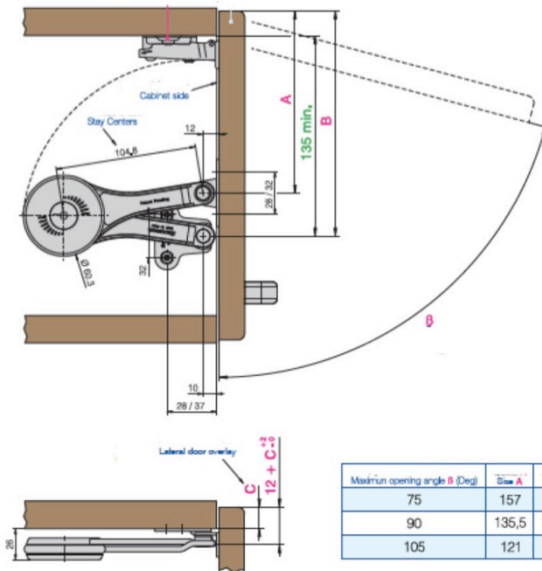
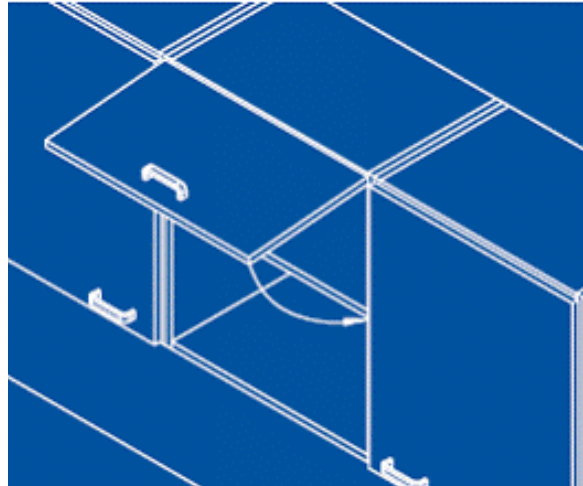
Klok XL Brake in Opening*



*Non-preferred articles

All Item numbers in the catalogue marked with * are for non-preferred non-stock items available upon special request. For such products, extended delivery times may apply.

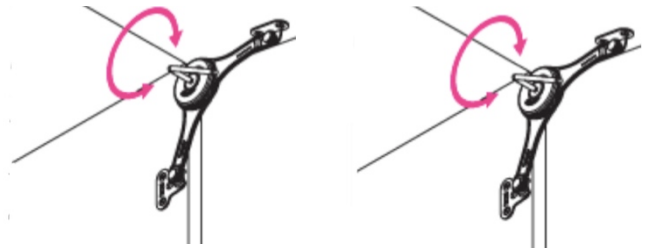
Klok XL Brake in Closing



Maximum opening angle B (Deg)	Size A	Size B
75	157	189
90	135,5	167,5
105	121	153

INSTALLATION

- For maximum opening to 105°
- For doors with width over 600mm, we suggest using 3 hinges
- We suggest using mounting plates with euro screws.



(1) Always leave the adjusting screw inside the cabinet to fix the brake.

(2) Adjust friction force with an Allen key and adjusting screw according to the flap door dimensions and weight