

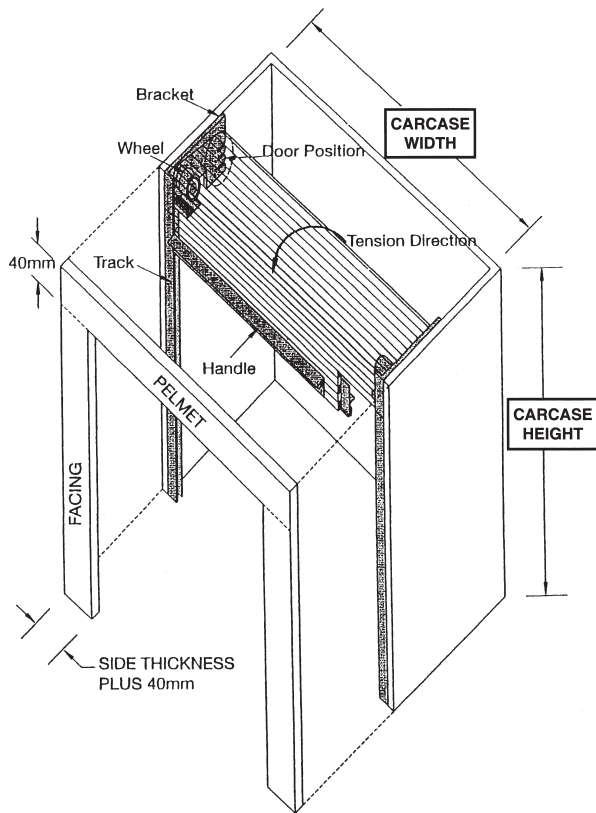
Ideal for all your storage requirements.

Belle Roller doors glide effortlessly open and closed.

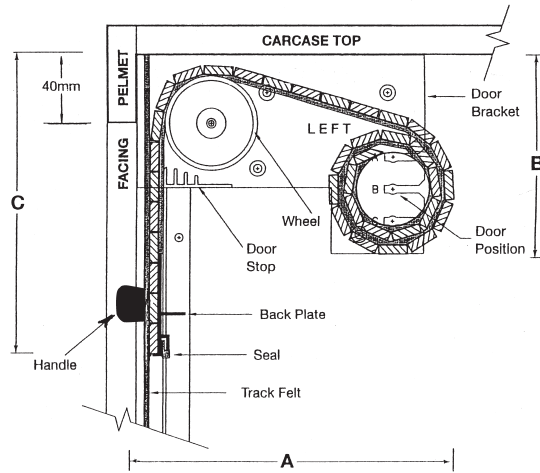
Other benefits include:

- Usage of the entire space in front of the door, unlike hinged or bi-fold doors.
- Keeps small kitchen appliances hid away, but ready to use when required.
- Provides an elegant and streamlined appearance when doors are closed.
- Available in several laminate, vinyl, timber and MDF finishes.
- Made to measure up to 2m x 2m.
- Flexibility to be fitted with locks, providing additional security in your study or office.
- Innovative options such as remote controlled electric motors can be included.

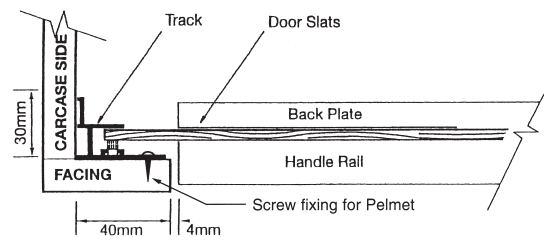
Isometric View



Side View



Plan View



Dimension Chart (Refer to Side View)

Height	A	B
To 600	190	110
601-900	200	130
901-1200	210	140
1201-1500	215	155
1501-1800	220	170
1801-2100	225	180

Note: (1) DIMENSION C equals 100mm when the door is fully opened

(2) Add 50mm to DIMENSION A for making installation easier

Warranty

Belle Roller Doors warrants its products to be free from defects in materials and workmanship under normal and proper use for a period of 12 months. For more information, contact your supplier.

For more Information:

info@titustekform.com.au
www.titustekform.com.au